

AXA HOME SECURITY



Product catalogue **2023**





AXA HomeSecurity is a Polish manufacturer with over 26 years of experience, strong reputation and international support in product development. Over the years of our activity, we have developed a strong position in the field of burglary protection, at the same time letting ourselves be known as a **trusted and flexible partner**.

As a professional in your industry you look for good, fast and, most of all, reliable solutions. We provide you with these solutions as specialists with experience in the field of door security. A team of specialists develops, produces and launches AXA quality products every day. **We make sure that this quality is synonymous with our products for years to come.**

Our quality is reflected in the materials used, the finishing touches and service life of our products. However, it is also reflected in **timely delivery, extensive technical documentation, marketing communication and our employees' expertise.**

Safety is the priority at AXA. Burglar-proof products are an important part of our product range, as they not only increase the feeling of safety in and around the home, but also guarantee a safety of use, operation and installation.

We care about comfort of AXA product operation for the benefit of both end customers and professional installers. We know that product quality is often determined by its correct installation, so we attach particular importance to clarity and intuitiveness of our installation instructions and additional, standardised fastening materials, which **guarantees fast and trouble-free installation.**

2 Introduction

- 4 Safety
- 4 Security acceptance criteria
- 5 Fittings – differentiating features
- 5 Screw and pin assembly
- 5 Certificates and standards
- 6 Door knob movement assistance
- 6 Correct installation of fittings
- 7 AXA ++ series
- 8 AXA Flex Premium series
- 10 Flex
- 12 Black
- 13 Single colour concept
- 14 Libera – modern design, many applications



Basic safety class and safety class 1

16

- 18 Ceres Click
- 20 Fast Premium
- 22 Slim Plus
- 24 Niagara++ / Niagara
- 26 Haga++ / Haga
- 28 Manitoba++



30 Safety class 3

- 32 Diva
- 34 Diva Flex
- 36 Odin
- 38 Odin Flex
- 40 Quebec
- 42 Quebec Flex
- 44 Prestige
- 46 Prestige Flex
- 48 Royal++
- 50 Royal Flex++
- 52 Kioto Flex Premium
- 54 Apollo Flex Premium
- 56 Jupiter Flex Premium
- 58 Arrow Flex Premium
- 60 Solid Flex Premium
- 62 Diana Premium
- 64 Diana Flex Premium
- 66 Mars Click
- 68 Mars Flex Click



70 Safety class 4

- 72 Toronto Flex
- 74 Vermont Flex

76 Pull handles

- 79 Pull handle characteristics
- 82 Dubaj
- 84 Szanghaj
- 86 Montreal – straight
- 88 Montreal – skew
- 90 Montreal – bent
- 92 Amsterdam – straight
- 94 Amsterdam – skew
- 96 Pull handle dedicated fittings
- 99 Technical drawings – pull handle dedicated fittings

100 Other products

- 102 Digital door peepholes
- 102 Door peepholes
- 102 Rigid chain
- 103 Glazing frames
- 104 Master Key system
- 104 Additional accessories
- 105 Lock cylinders
- 105 Hinge guards
- 106 Door stops
- 107 Concealed hinge
- 108 Door closers
- 110 Complete AXA NL door and window fitting range
- 111 AXA Remote 2.0
- 112 Surface-mounted Anti-panic System

116 Additional Information

- 118 About the company
- 120 General sales terms and conditions for contracts concluded with entrepreneurs
- 123 Door fitting warranty for entrepreneurs
- 124 Technical drawings – door knobs
- 133 Technical drawings – pull handles

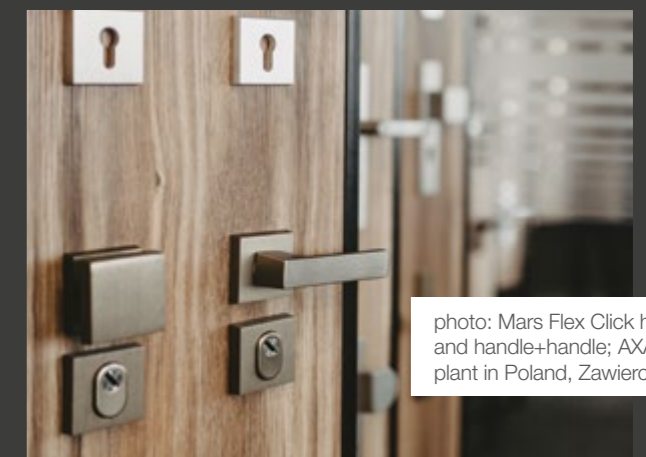


photo: Mars Flex Click handle+knob and handle+handle; AXA Stenman plant in Poland, Zawiercie, AXA©.

INTRODUCTION



01

photo: AXA©.

- ▶ What is version ++?
- ▶ What is Flex?
- ▶ What are the differentiating features of the AXA Flex Premium series fittings?
- ▶ Why are integrated door handles more reliable?
- ▶ Overview of screws and pins
- ▶ Security acceptance criteria (security classes)



NEW!

LIBERA ◀◀◀

Safety

Our products come in three safety classes:

Safety class 1

Products in this class are covered with a 2-year warranty. They are available in the standard version, without cylinder protection. The power-assist feature is provided in the inner escutcheon plate – applies to **Plus** and **++ versions (integrated handles)**.



Warranty:

Flex / Premium

Standard



Safety class 3

Products in this class are available in the **standard** version, as well as in **Flex** version with cylinder protection. The power-assist feature is provided in the grip (**Premium** version) or in the inner escutcheon plate (**++ version** – available soon).



Flex fittings come with fire protection certificates.



Safety class 4

Class 4 is the highest security class available in Poland. The fitting comes with a 3 mm thick steel plate over the entire outer escutcheon plate length. The fitting is available in the Flex version with cylinder protection.



Security acceptance criteria

Parameters for security lock fittings for doors*

Specification	Class 1	Class 2	Class 3	Class 4
Design requirements	yes	yes	yes	yes
Disc strength				
Power ± 50 N	7 kN	10 kN	15 kN	20 kN
Maximum deflection	5 mm	5 mm	5 mm	5 mm
Fastener strength				
Power ₀ ⁺⁵ %	10 kN	15 kN	20 kN	30 kN
Initial load ± 50 N	500 N	500 N	500 N	500 N
Maximum strain	2 mm	2 mm	2 mm	2 mm
Drilling resistance				
Test duration	no	> 30 s	> 3 min	> 5 min
Axial power ₀ ⁺⁵ %	no	200 N	200 N	300 N
Cutter-attack resistance				
Long disc impact points	no	1, 2	1, 3, 4	1, 2, 3, 4, 5
Short disc impact points	no	1, 2	1, 3, 4	1, 2, 3, 4
Keyhole disc (see A.3.6.2)	*	*	*	*
Number of pendulum hits	no	3	6	12
Cylinder protection plate strength (if installed)				
Power ₀ ⁺⁵ %	no	10 kN	15 kN	20 kN

* PN 1906: 2012 – Building hardware – Lever handles and knob furniture – Requirements and test methods.

What are the differentiating features of our fittings?

- ▶ our products are manufactured in Poland – “Polish Manufacturer”
- ▶ fittings are made of solid aluminium profiles coloured by with the anodic oxidation method (coating with an aluminium oxide layer, min. thickness 12 microns), thanks to which they are more resistant to corrosion, weather conditions and scratching
- ▶ enhanced aesthetics
- ▶ well thought-out design: fittings without sharp edges
- ▶ various spacings on offer: 72, 90, 92
- ▶ available in 6 anodised colours and 1 fine structure RAL colour



Colouring with the anodic oxidation method ensures longer product life; photo: AXA©.



F1 Silver



F3 Golden



F4 Old Gold



F6 Inox



F8 Black



F9 Titanium

NEW!



K7 Anthracite

Overview of screws and pins

for 8-8 mm escutcheon plates

Door thickness	37-42	43-46	47-51	52-53	54-57	58-63	64-66	67-73	74-77	78-83	84-86	87-93
Screw length – 8-8 mm escutcheon plate	50	55	60	65	65	70	1*	80	3*	90	4*	100
Handle+handle – pin length	110	110	110	110	110	120	130	130	130	150	150	150
Handle+pusher – pin length	75	75	75	90	90	90	90	2*	110	110	110	120

for 8-12 mm escutcheon plates

Door thickness	37-42	43-46	47-51	52-53	54-57	58-63	64-66	67-73	74-77	78-83	84-86	87-93
Screw length – 8-12 mm escutcheon plate	50	55	60	65	65	70	80	80	90	90	100	100
Handle+handle – pin length	110	110	110	110	120	120	130	130	150	150	150	150
Handle+pusher – pin length	75	75	75	90	90	90	90	2*	110	110	110	120

Certificates and standards

▶▶▶ Ask the sales department about certifications.

Door handle power-assist feature

Door handle power-assist systems are standard equipment for most AXA fittings, i.e. Plus, ++ and Premium series, as well as all class 3 fittings.

What are the advantages of these systems?

- ▶ Universal right-side / left-side installation
- ▶ Can be used with locks with a push-up function / in strip locks
- ▶ The Premium power-assist feature retains a handle in a horizontal position in case the door lock spring is defective.
- ▶ Assists in lock mechanism operation
- ▶ Prolongs the lock life



What are the characteristics of the power-assist systems?

NEW!

	-*	Plus		++		Premium	
	Basic safety class*	Basic safety class	Safety class 3	Safety class 1	Safety class 3	Basic safety class	Safety class 3
power-assist	no	yes, within inner escutcheon plate		yes, within inner and outer escutcheon plate		yes, within grip	
handle integrated with escutcheon plate	no	no		yes		yes	
warranty	2 years	2 years	5 years	2 years	5 years	2 years	10 years

*applies only to Haga and Niagara models.

Correct installation of fittings

As a standard, the following elements are included:

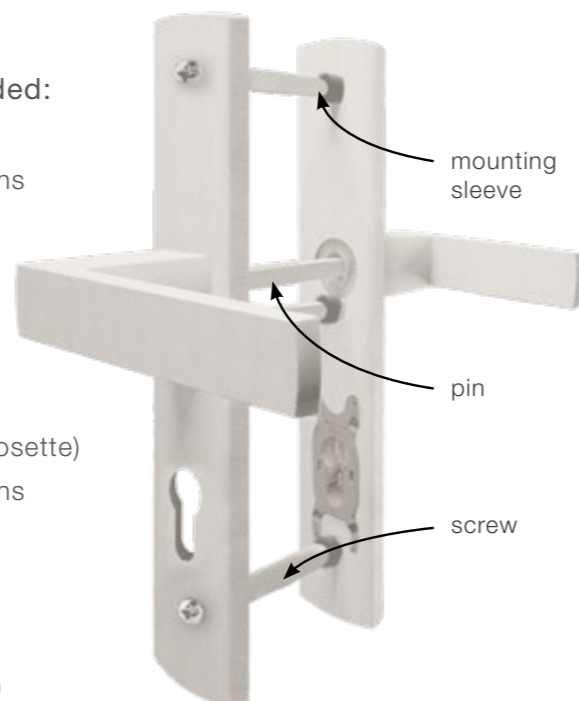
- ▶ screws, length 90 mm
- ▶ pins, length 130 mm, for handle+handle combinations
- ▶ pins, length 110 mm for sets with knobs or pushers

Exceptions:

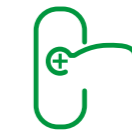
- ▶ Kólko&Kwadrat product line (on round and square rosettes)
- ▶ screws, length 100 mm (M5 for handle and M6 for rosette)
- ▶ pins, length 150 mm, for handle+handle combinations
- ▶ pins, length 120 mm for sets with knobs

Premium series (integrated handles)

- ▶ 90 mm screws
- ▶ 150 mm or 170 mm pin (can be shortened as required)



AXA ++ series product range



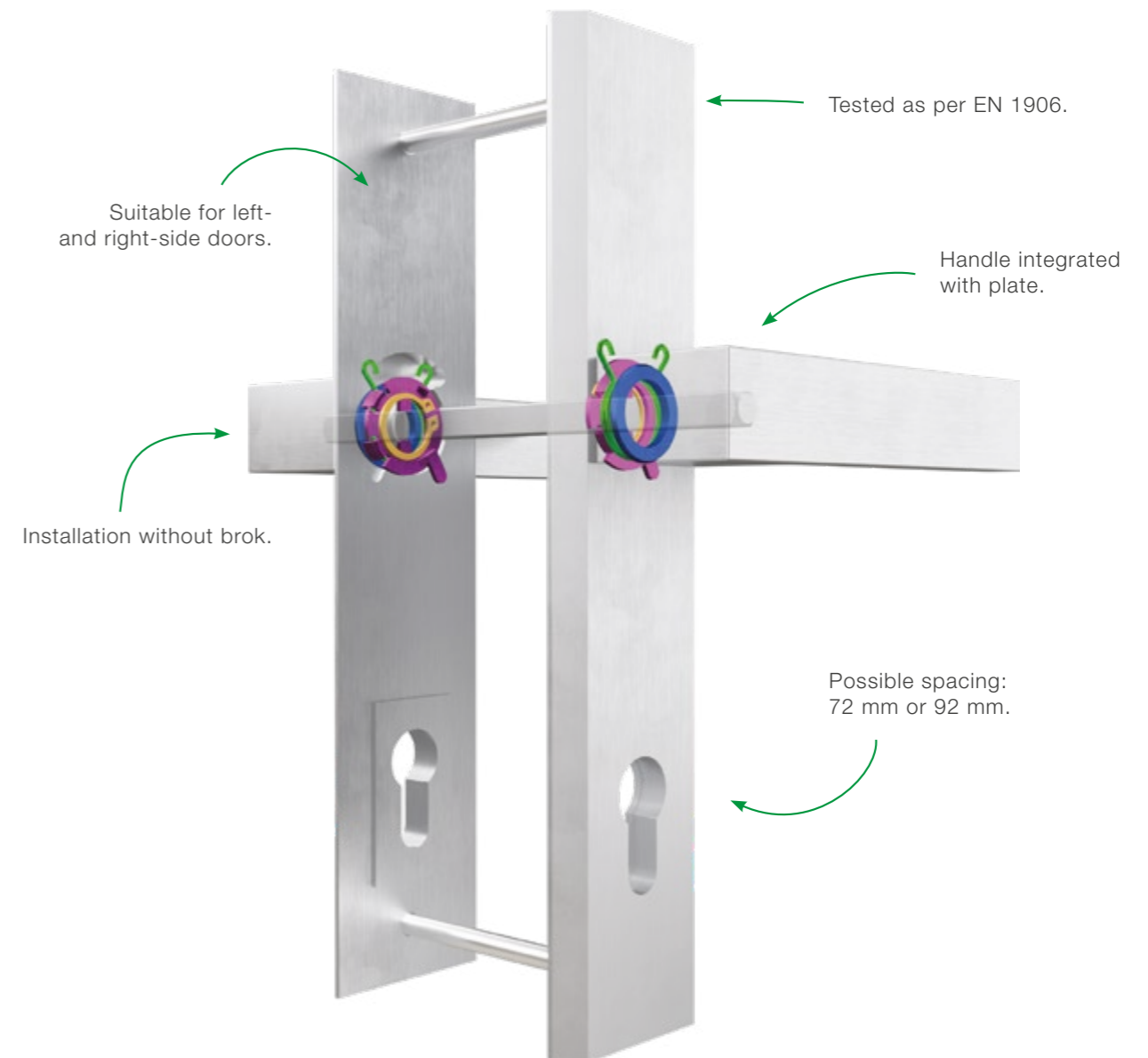
Integrated door handle



Faster installation



Reliability



Haga++



Royal++



Royal Flex++

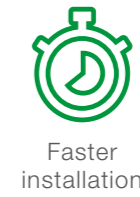



Manitoba++

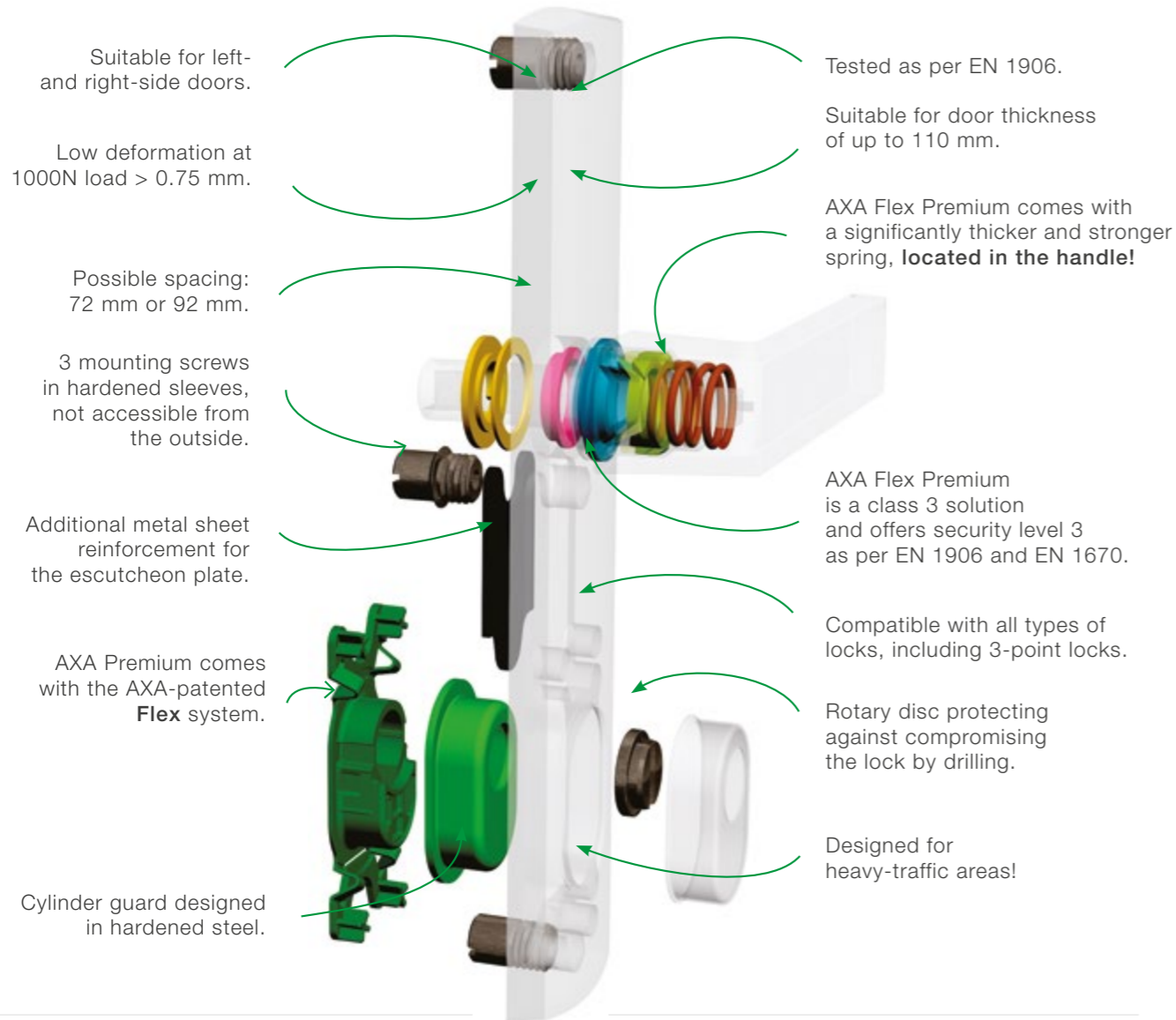


Solo Gaja++

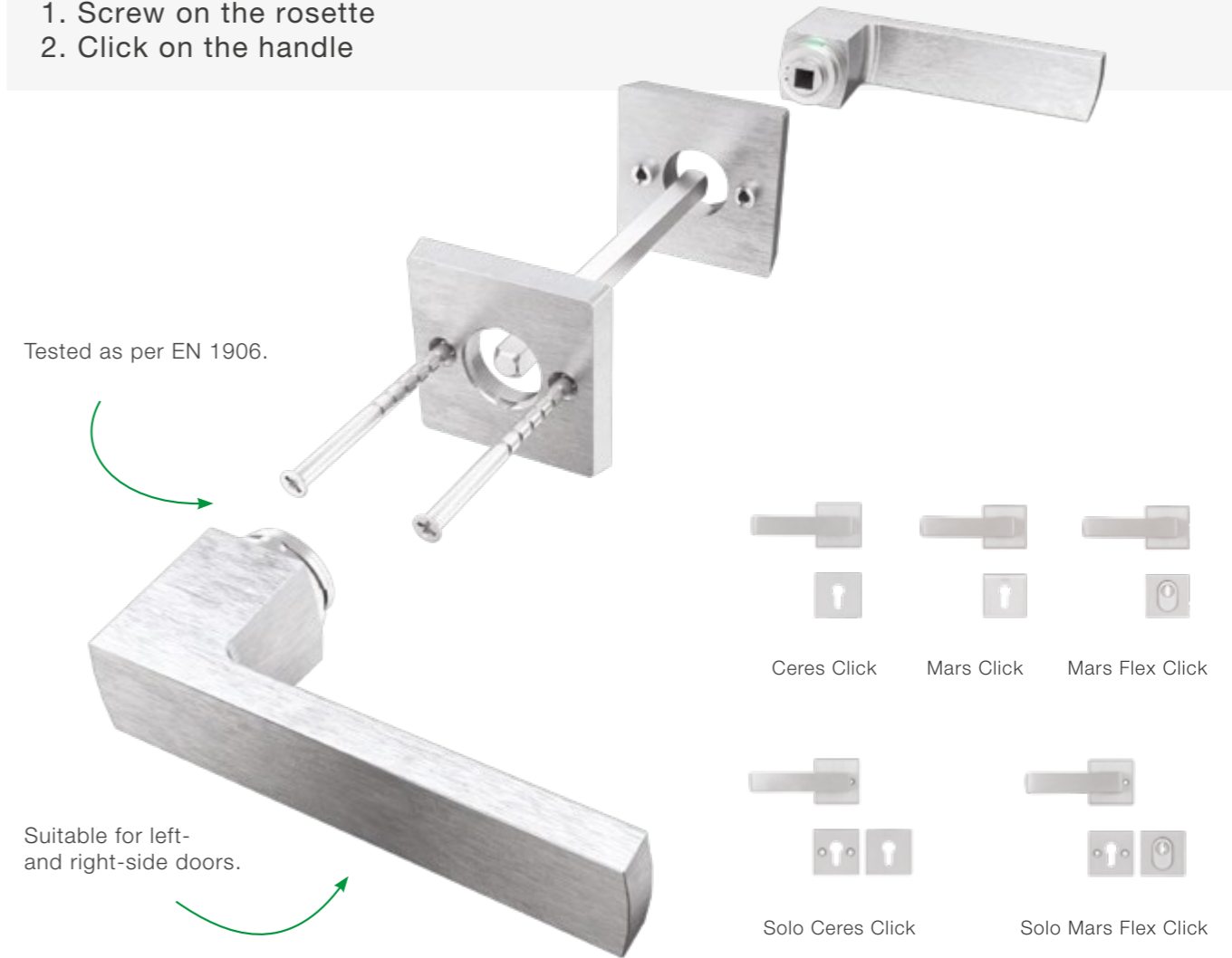
AXA Flex Premium series product range



Click version  – New, simpler way of mounting fittings on rosette.



All you need to do is:
1. Screw on the rosette
2. Click on the handle



AXA Flex Premium comes with a significantly thicker and stronger spring, **located in the handle!**



Reliability and fast installation. See how easy it is!





Flex fittings come with fire protection certificates!*

* except for Solid Flex



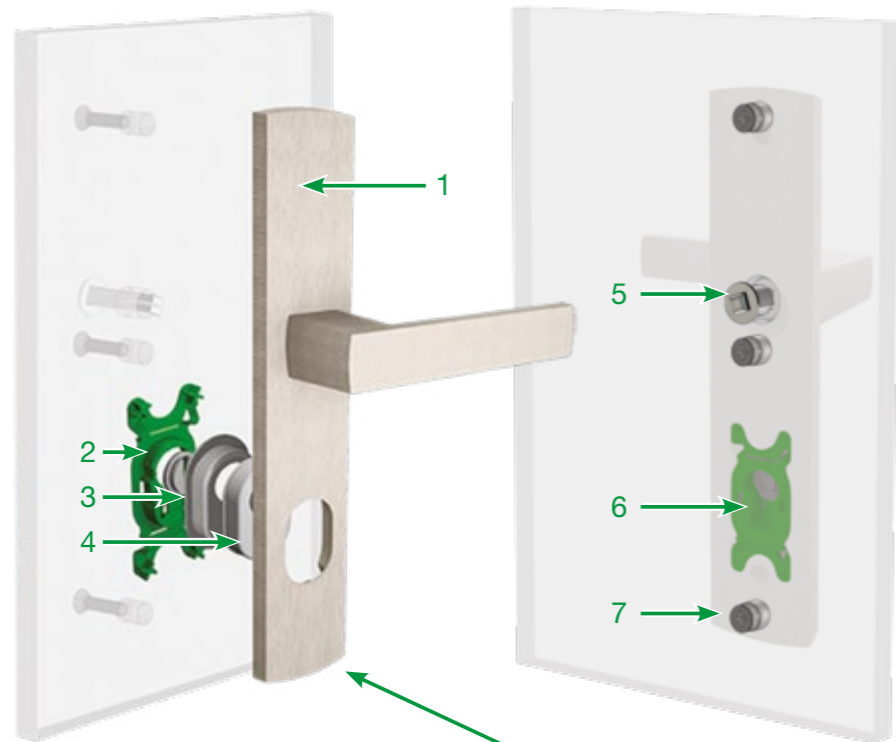
Did you know that a lock cylinder that is not perfectly matched in length to the door thickness and extends beyond the handle plane by as little as 3 mm poses a real threat to the security of your home?

What is the Flex protection feature?

Flex is a lock cylinder protection feature that adjusts itself to the cylinder length. If the cylinder protrudes by 9-15 mm from the door, you can easily secure it with a Flex handle.

What makes AXA HomeSecurity Flex handles special?

- ▶ They are made of solid, 12-15 mm thick aluminium profiles (external part).
- ▶ All handles featuring the Flex system come in security class 3, i.e. high intrusion-proof protection, as per EN 1906.
- ▶ They come with a rotary disc protecting against compromising the lock by drilling.
- ▶ The cylinder guard is designed in hardened steel.
- ▶ Mounting screws are concealed and inaccessible from the outside.
- ▶ Screws are placed in steel sleeves that prevent them from being cut.
- ▶ Flex handles are come with fire protection certificates and suitable for installation on doors requiring such certificates.



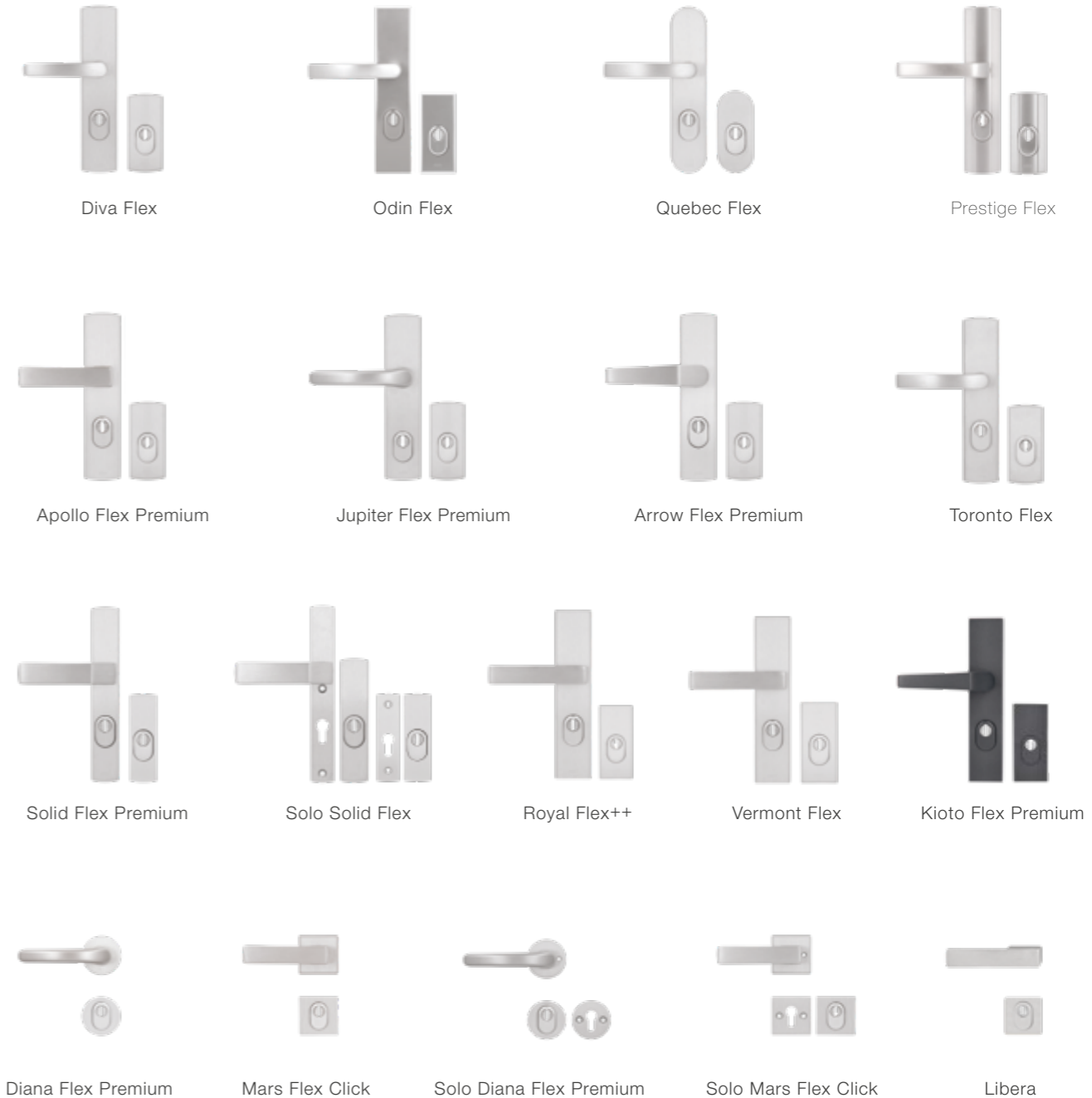
▲ Class 3 with cylinder protection, Flex safety escutcheon plate.

1. Full, solid escutcheon plate
2. Steel, rotary disc protecting against compromising the lock by drilling
3. Steel cylinder protection against pulling out by force
4. Decorative cylinder guard
5. Flex Premium: integrated handle with power-assist feature in the grip*
6. Self-adjusting cylinder protection
7. Steel sleeves protecting against cutting the screws (x3)

Note!

An indispensable feature of intrusion-proof fittings for external doors is the absence of mounting screws on the outside of the door.

* Integrated handle, with power-assist grip, only available in the Flex Premium range.



Designation of intrusion-proof fitting types**:

▶ **Standard**
intrusion-proof fitting without cylinder protection.

▶ **Flex**
intrusion-proof fitting with spring-loaded cylinder protection.
Patented by AXA!

** For detailed information on product properties see the national declarations of performance available for download at: www.axasecurity.com/home-security-poland/pl-pl/strefa-pro/certyfikaty/

Black

The unique colour of our fittings gives your door an elegant and chic appearance.

photo: AXA©.

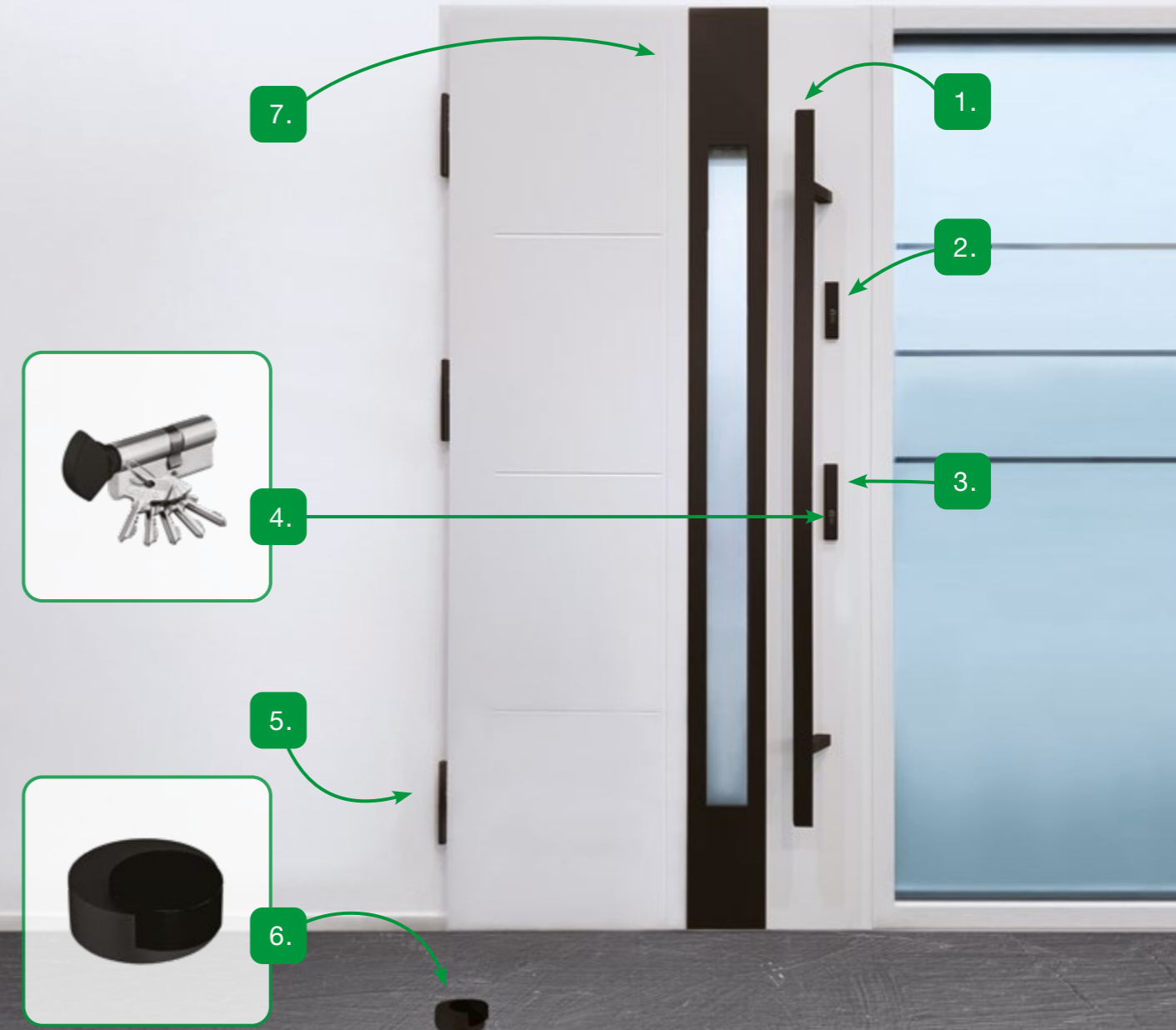
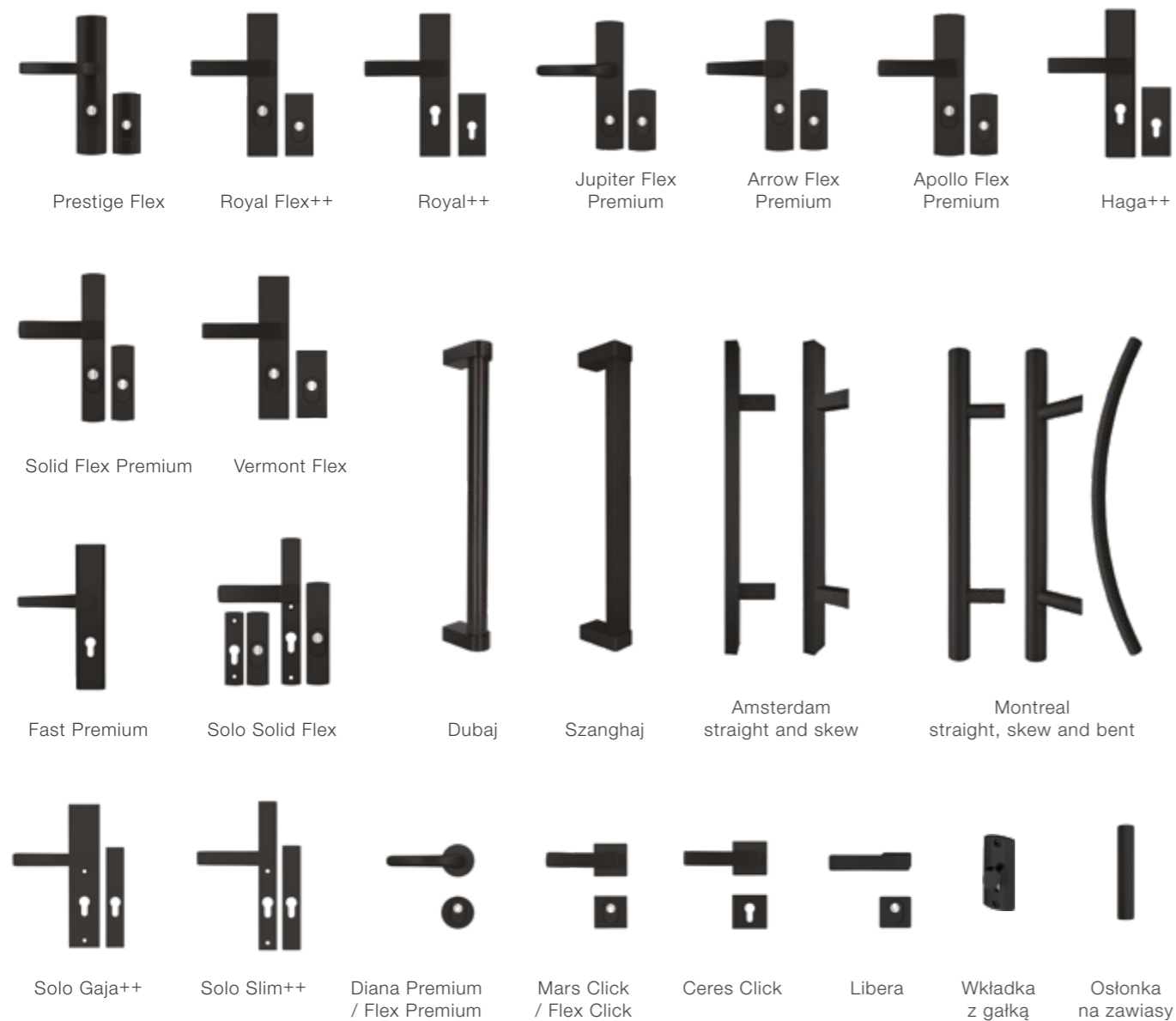


Single colour concept

Colour matching for all fittings and door accessories

1. AMSTERDAM skew one-sided pull handle
2. Upper rosette
3. Escutcheon plate
4. Lock cylinder
5. Hinge guards
6. Heavy door stop
7. Decorative frames for door glazing in fitting colour version

All fittings available only with polished finish. Prestige Flex is the only exception (half polished/half ground).



LIBERA

Modern design,
many applications



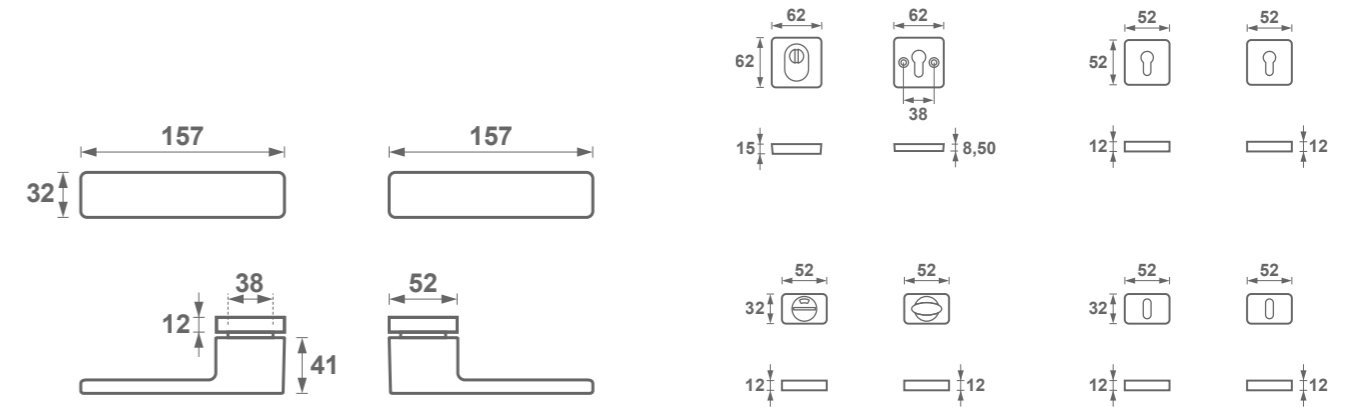
Available colours:

F6 Inox

F8 Black



Technical drawings:



Protection:
Flex / Standard



Wykończenie:
Ground



Power-assist:
In grip – Premium



Dedicated to:
External
and staircase doors



Product:
Made in Poland

BASIC SAFETY CLASS & SAFETY CLASS 1

BASIC SAFETY CLASS AND SAFETY CLASS 1

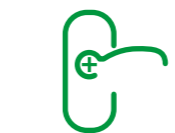


photo: AXA©.

02

Integrated version models – ◀
++ series – are already available!

2-year warranty ◀



Integrated door handle



Faster installation

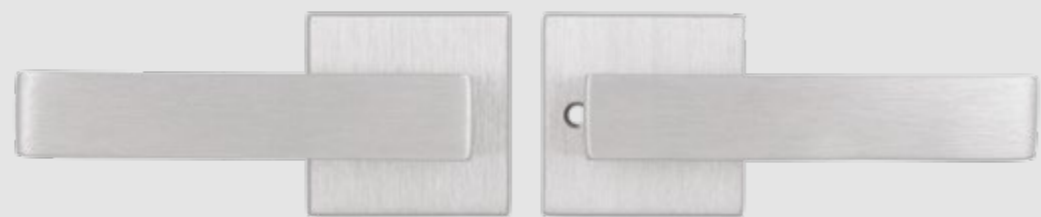


Reliability

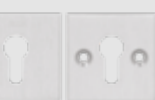
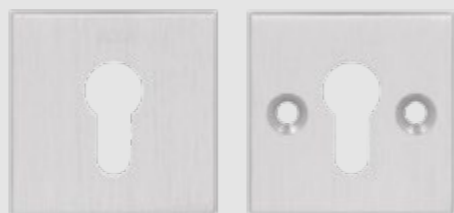


Click version

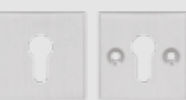
CERES CLICK



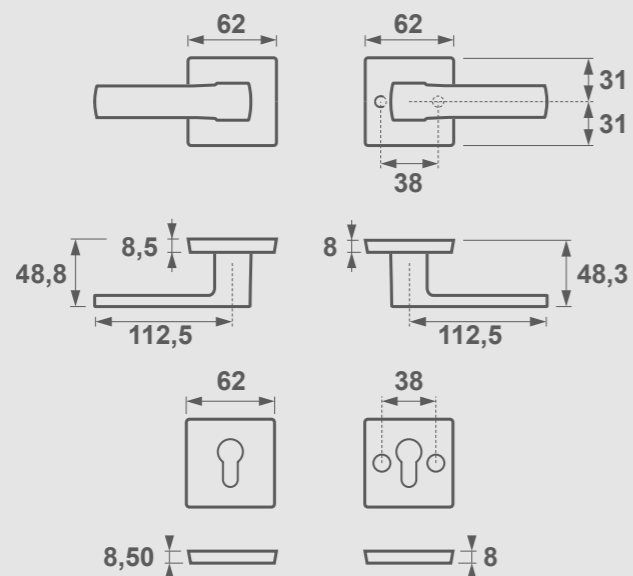
handle+handle F6



rosette F6



handle+knob F6



For technical drawings for other spacing values, see page 124.



Basic
safety class

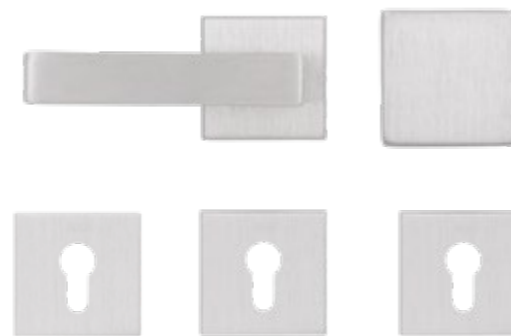


Standard version

For more information on Click version, see p. 9.

Available colours:

F6 Inox



F8 Black



Protection:
Standard



Power-assist:
In grip



Integrated door handle:
Yes



Finish:
Ground



Dedicated to:
External and staircase doors



Product:
Made in Poland



Additional information:

1. Can be used in strip locks
2. **F3 golden-coloured** fittings available on request in sets of **50 pcs.**
3. Standard: 150 mm pin for handle, 125 mm for knob, 100 mm screws
4. Fixed knob
5. Also available in the SOLO version for use with pull handle, page 97



Click version

FAST PREMIUM

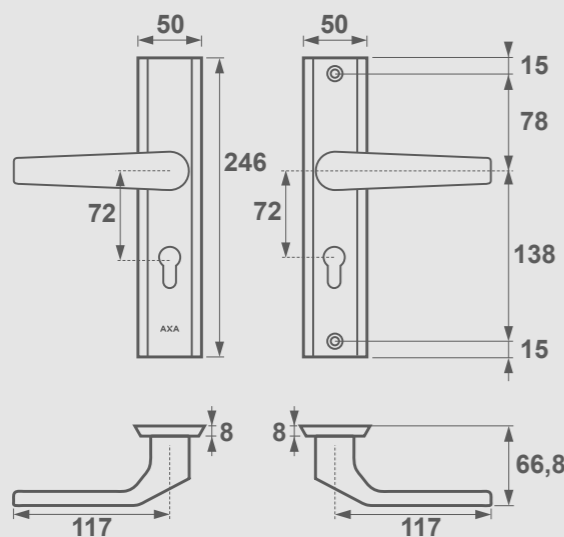


handle+handle F6



rosette F6

long rosette F6



For technical drawings for other spacing values, see page 124.



Safety class 1



Standard version

Available colours:



F3 Golden



F6 Inox



F8 Black



Protection:
Standard



Finish:
Ground



Faster installation



Additional information:

1. Can be used in strip and multi-point locks
2. Other colour versions available on request in sets of min. **100 pieces**



Power-assist:
In grip – Premium



Dedicated to:
External and staircase doors



Reliability



Spacing:
72, 92 mm



Integrated door handle:
Yes



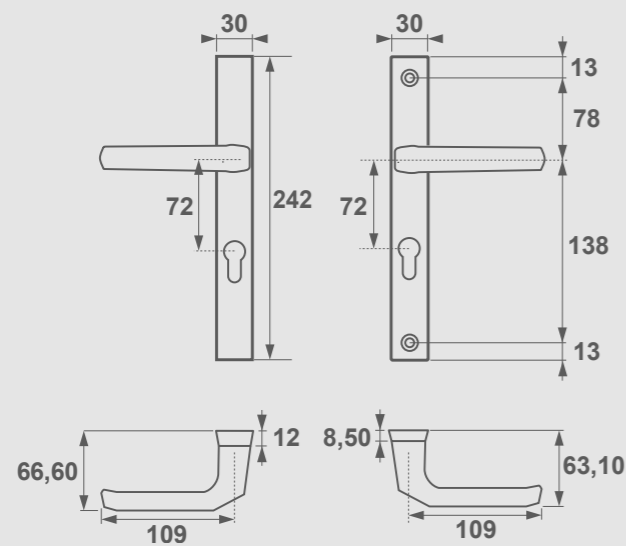
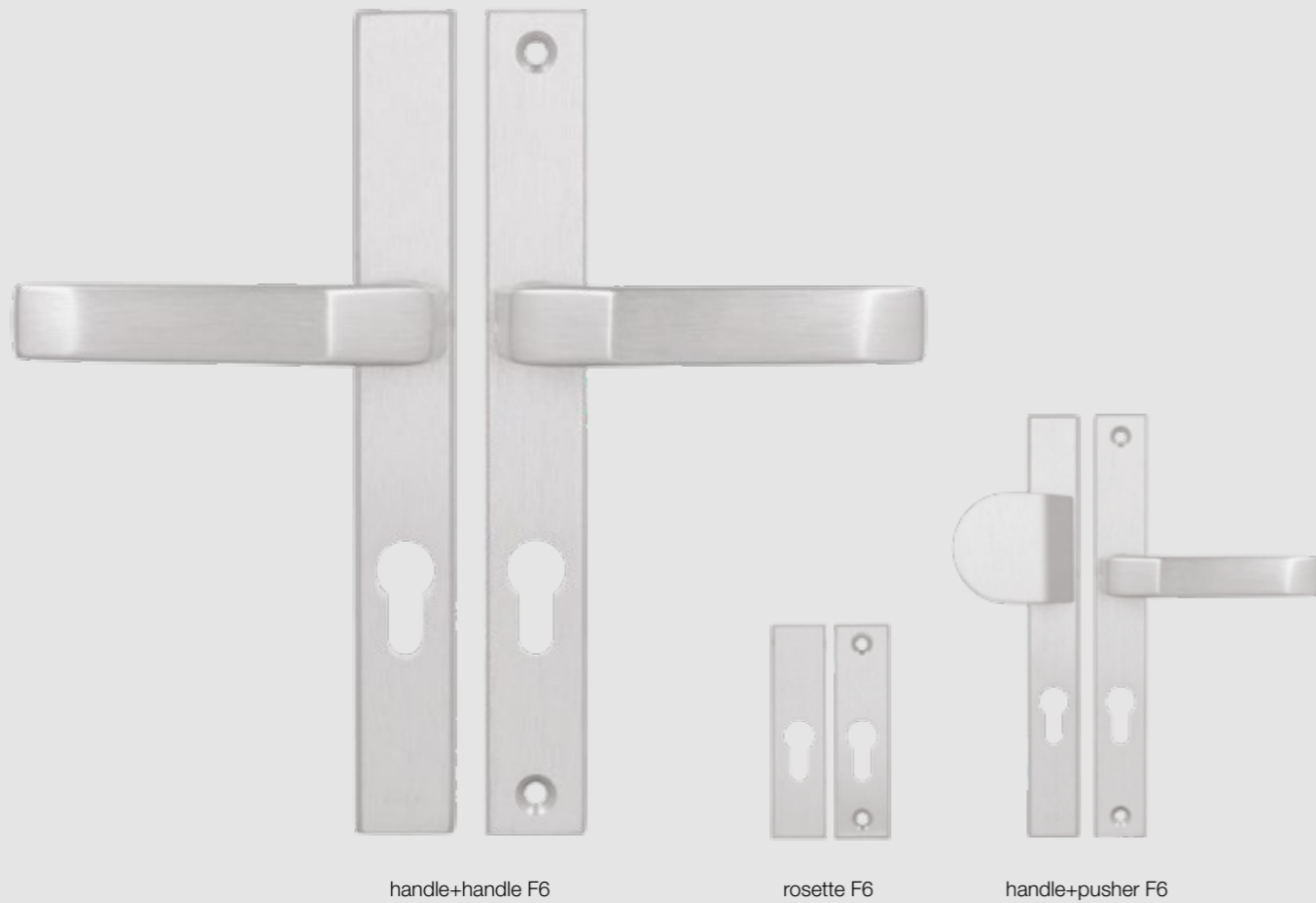
Product:
Made in Poland



Restricted design

SLIM PLUS

++ version* available soon.

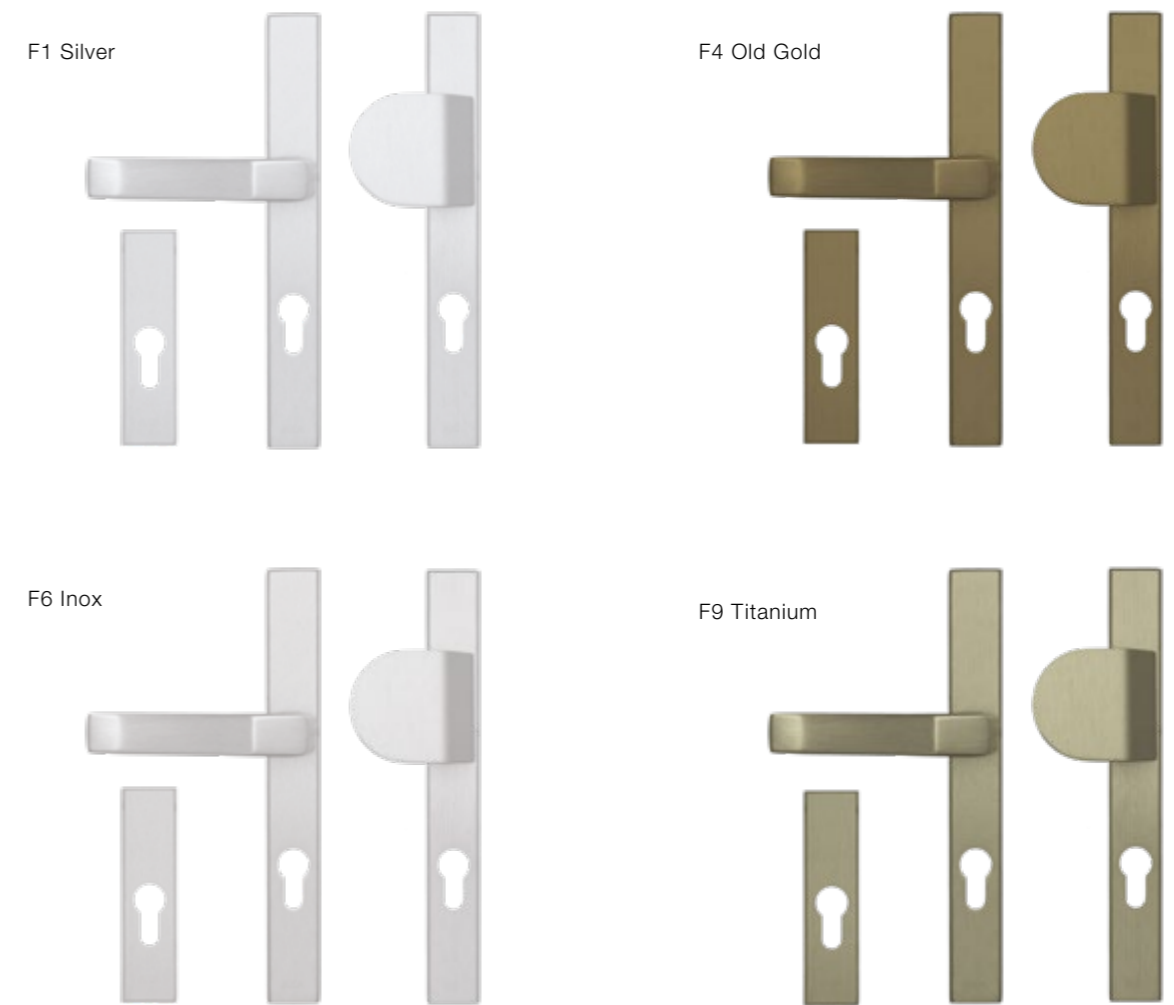


Standard version

For technical drawings for other spacing values, see page 124.

* For more information on ++ version, see p. 7.

Available colours:



Protection:
Standard



Power-assist:
Within inner escutcheon plate



Spacing:
72, 92 mm



Finish:
Ground



Dedicated to:
External and staircase doors



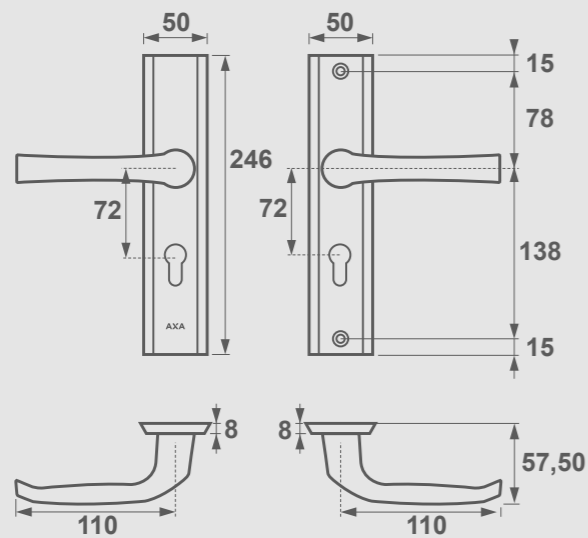
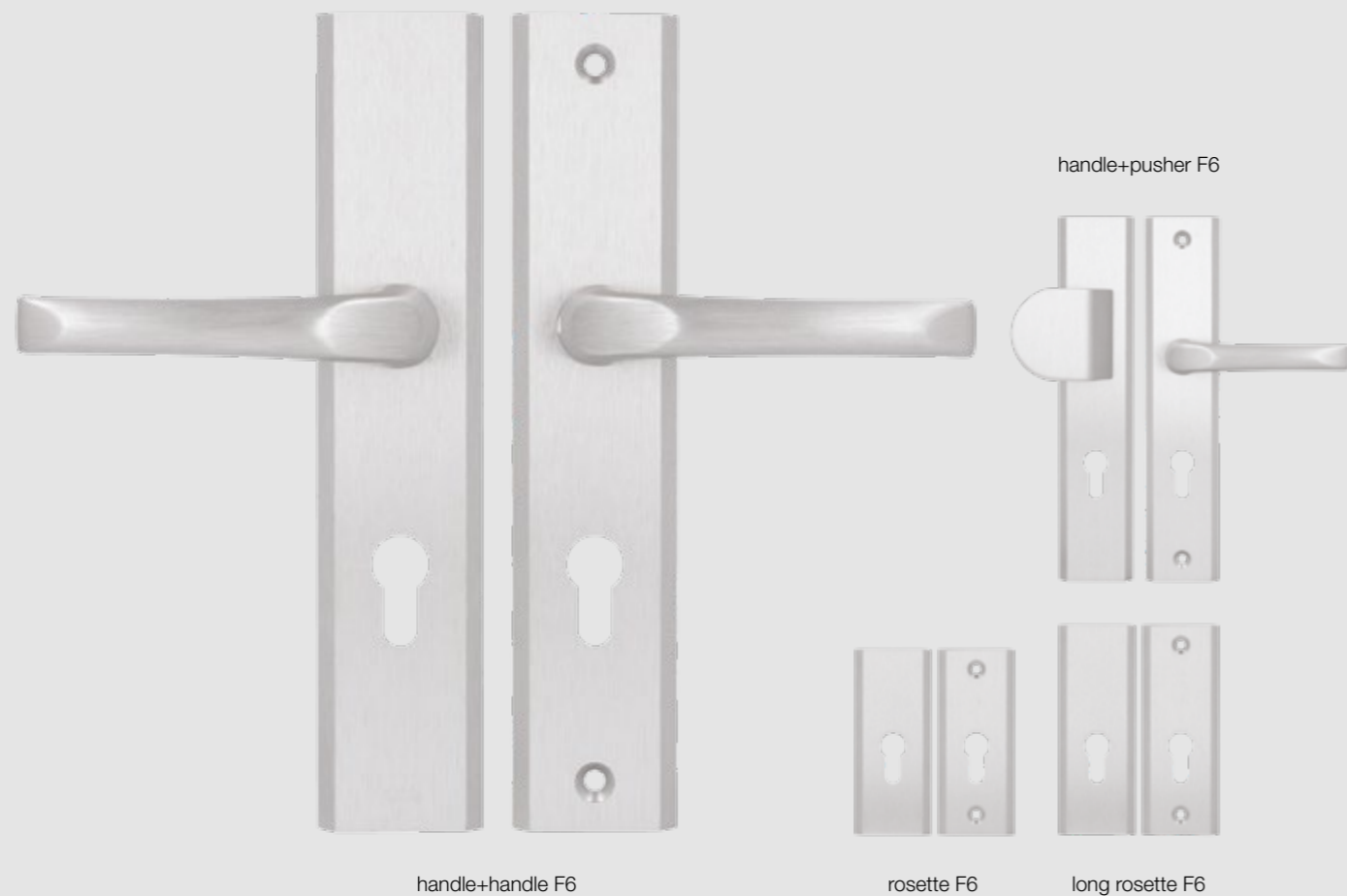
Product:
Made in Poland



Additional information:

1. Can be used in strip locks
2. **F8 black-coloured** fittings available on request in sets of **50 pcs.**, with additional charge amounting to 15% of the regular price for each set; **F3 golden-coloured** fittings available on request in sets of **50 pcs.**
3. **90 mm spacing** when at least **50 complete sets** are ordered
4. Also available in the SOLO version for use with pull handle, page 96

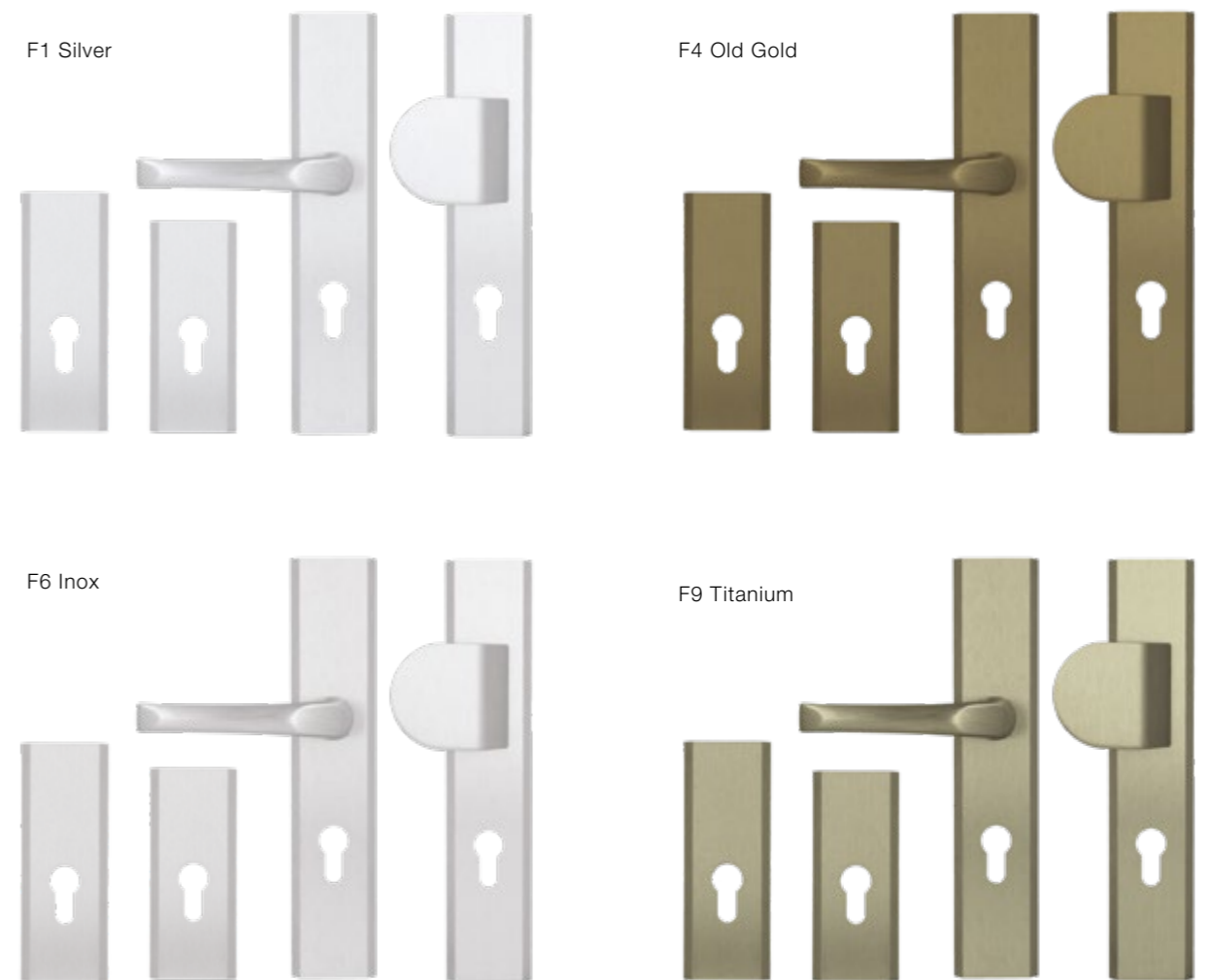
NIAGARA++ / NIAGARA



Standard version

For technical drawings presenting other spacing values, see pages 124–125. * For more information on ++ version, see p. 7.

Available colours:



Protection:
Standard



Power-assist:
Within inner escutcheon plate



Spacing:
72, 90*, 92 mm



Finish:
Ground



Dedicated to:
External and staircase doors



Product:
Made in Poland



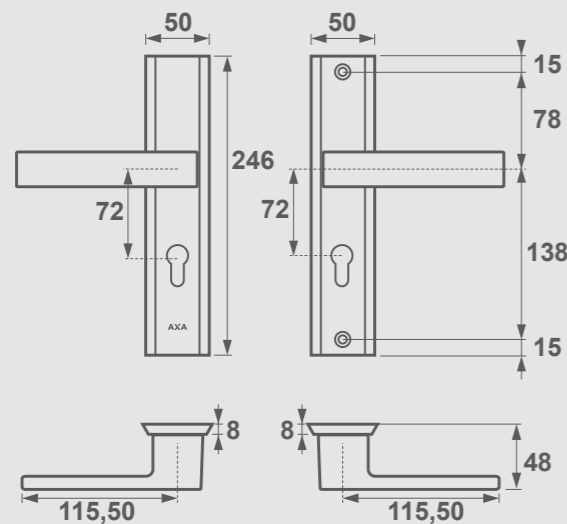
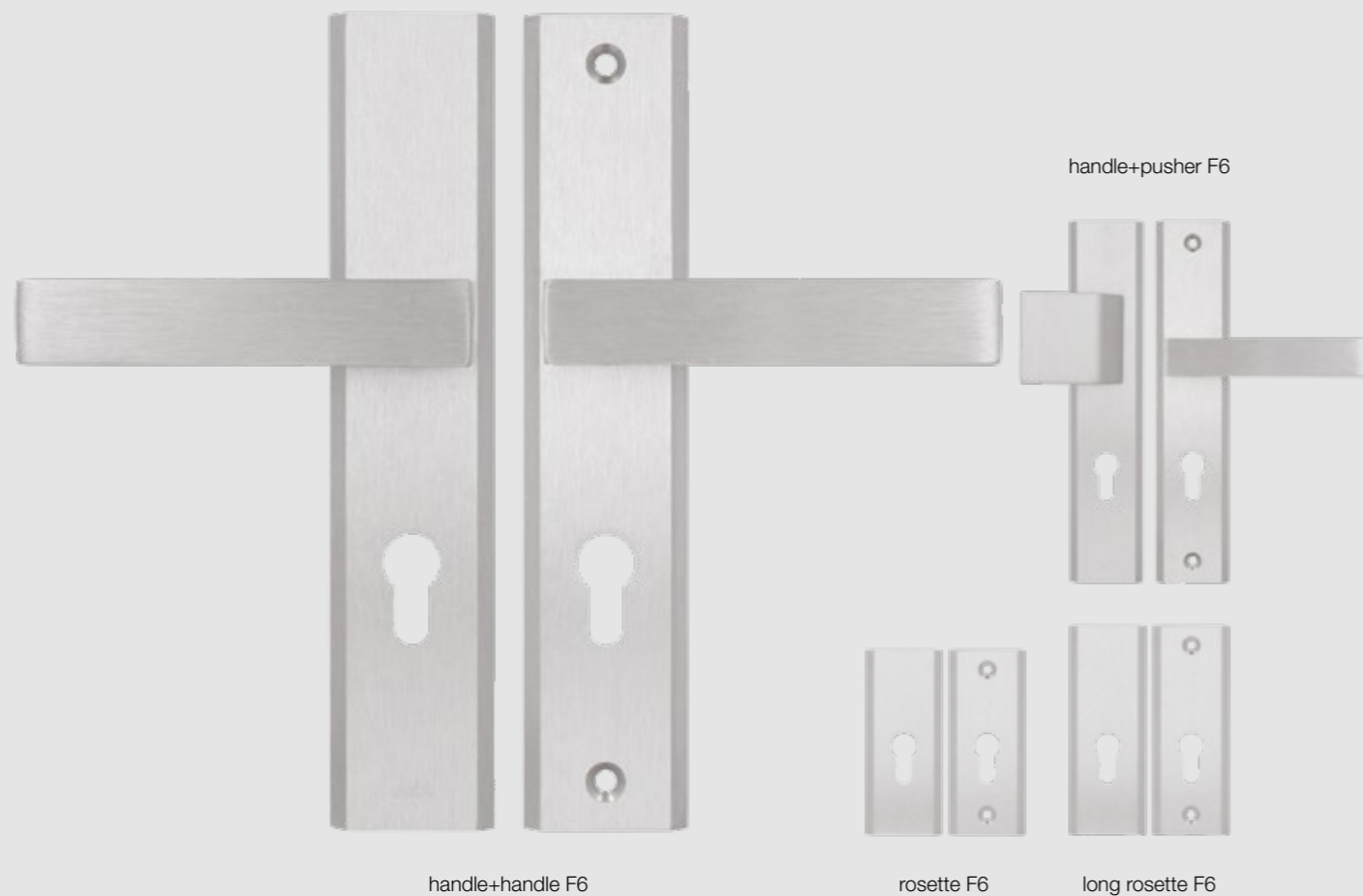
Additional information:

1. Can be used in strip and multi-point locks
2. **F8 black-coloured** fittings available on request in sets of **50 pcs.**, with additional charge amounting to 15% of the regular price for each set; **F3 golden-coloured** Niagara and Niagara++ fittings available on request in sets of **50 pcs.**, without additional charge

* applies only to Niagara++

HAGA++

/ HAGA



For technical drawings for other spacing values, see page 125.



Safety class 1*

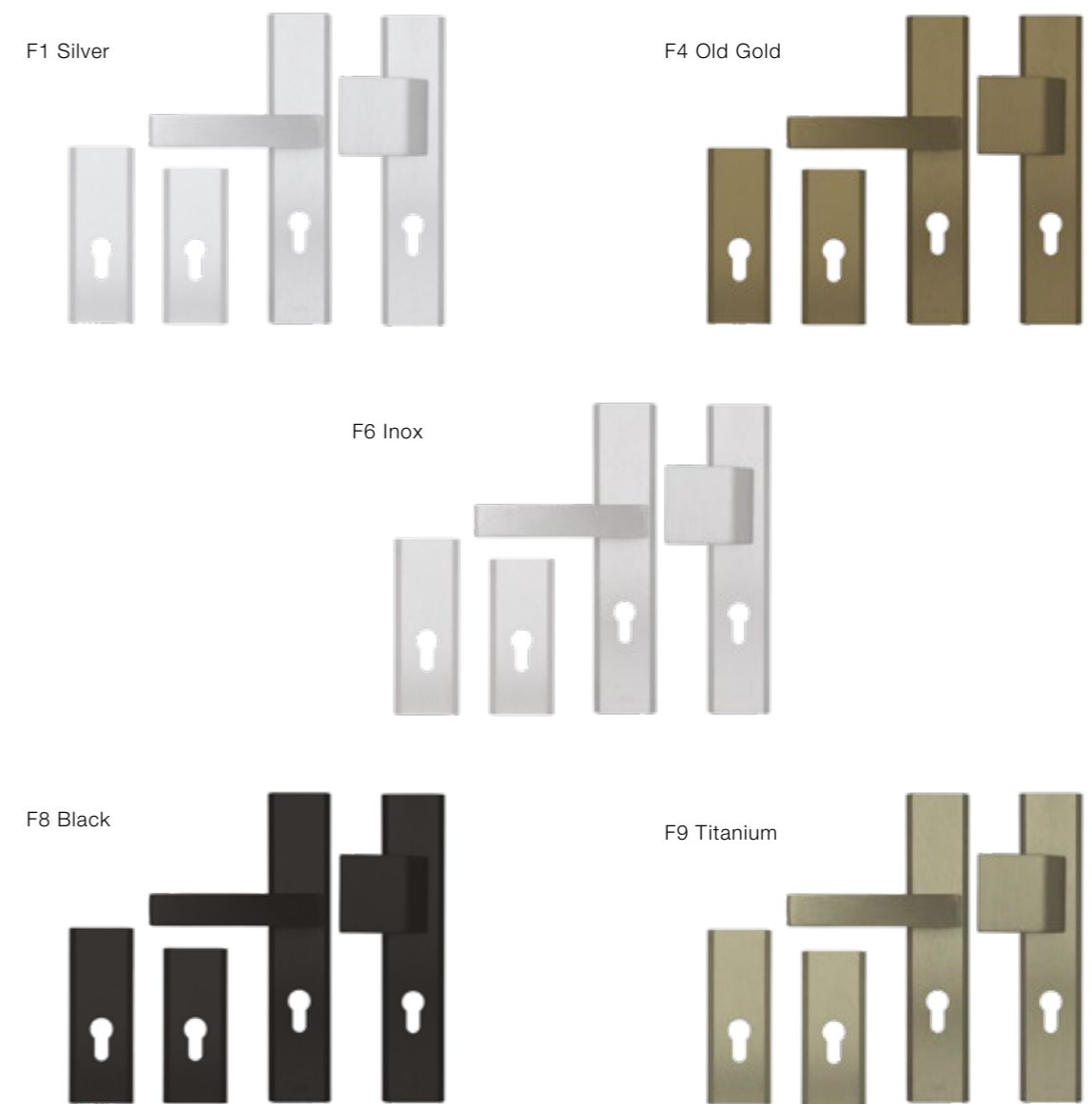


Standard version

For more information on ++ version, see p. 7.

* applies only to Haga++

Available colours:



Protection:
Standard



Power-assist:
Yes, within inner and outer escutcheon plate*



Spacing:
72, 90*, 92 mm



Finish:
Ground



Dedicated to:
External and staircase doors



Integrated door handle:
Yes (applies to ++ version)



Additional information:
1. Can be used in strip locks
2. **F3 golden-coloured** fittings available on request in sets of **50 pcs.**



Product:
Made in Poland



Faster installation**

** applies only to Haga++

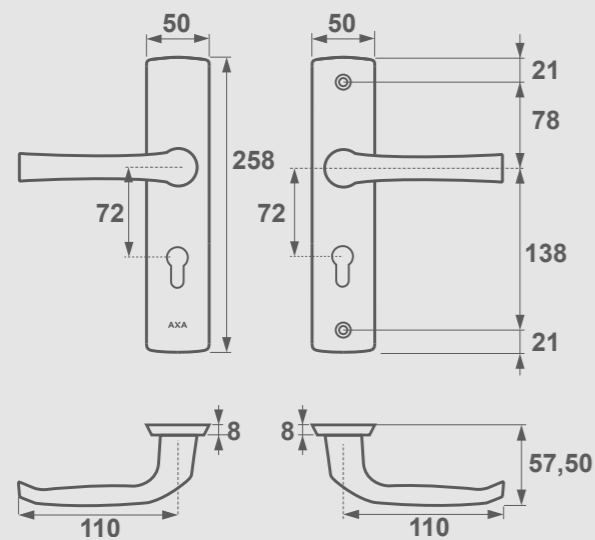
MANITOBA++



handle+handle F6

rosette F6

handle+pusher F6



For technical drawings for other spacing values, see page 126.



Safety class 1



Standard version

For more information on ++ version, see p. 7.

Available colours:



F1 Silver



F4 Old Gold



F6 Inox



F9 Titanium



Protection:
Standard



Power-assist:
Yes, within inner and outer escutcheon plate*



Spacing:
72, 92 mm



Finish:
Ground



Dedicated to:
External and staircase doors



Integrated door handle:
Yes



Additional information:

1. Can be used in strip locks
2. **F8 black-coloured** fittings available on request in sets of **50 pcs.**, with additional charge amounting to 15% of the regular price for each set; **F3 golden-coloured** fittings available on request in sets of **50 pcs.**
3. **90 mm spacing** when at least **50 complete sets** are ordered



Product:
Made in Poland



Faster installation

SAFETY

CLASS 3



photo: AXA©.

03

Intrusion-proof fittings ◀

Self-adjusting Flex cylinder protection ◀



5
YEAR WARRANTY



10
YEAR WARRANTY



Integrated
door handle



Faster
installation



Reliability

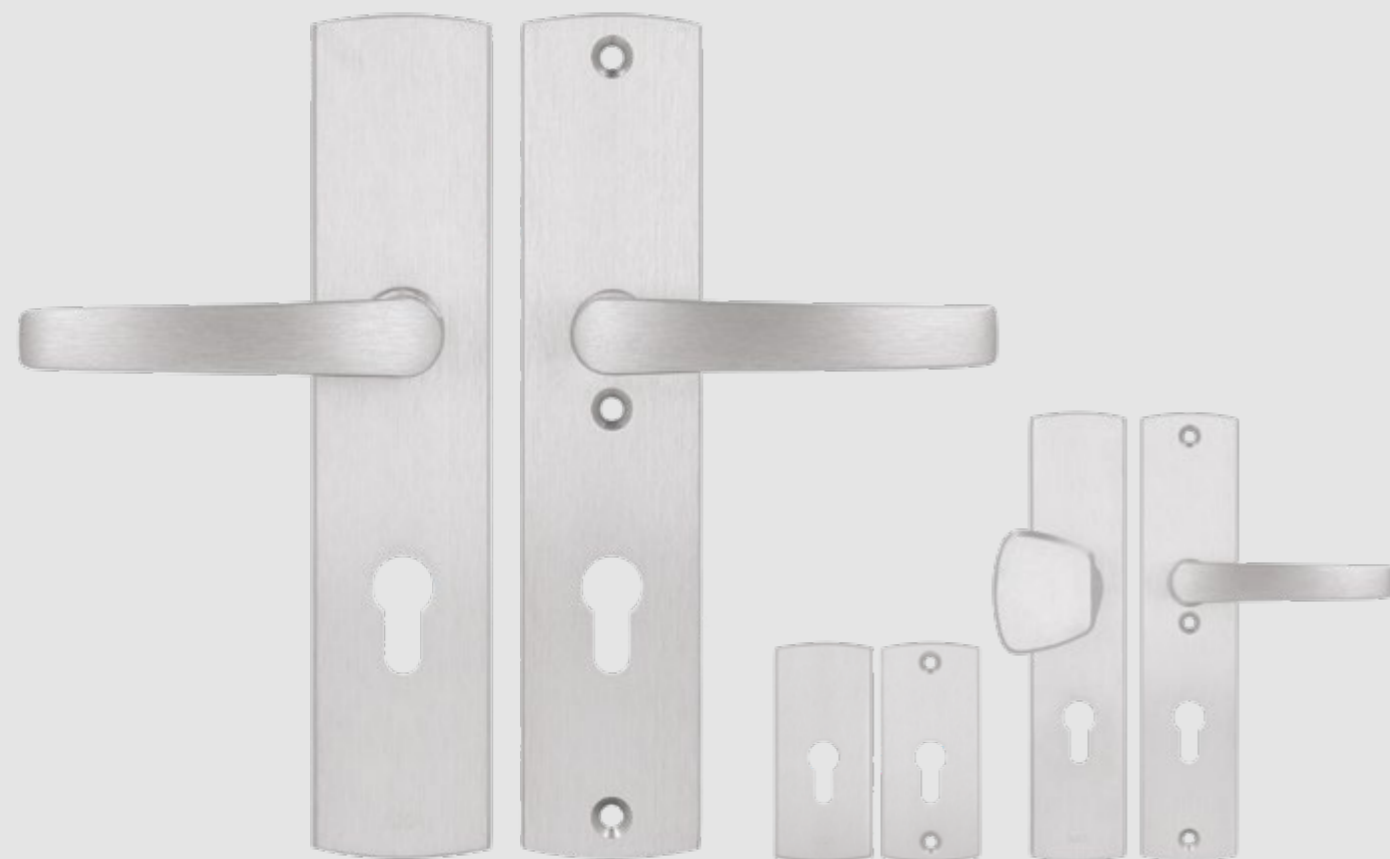


Click
version



DIVA

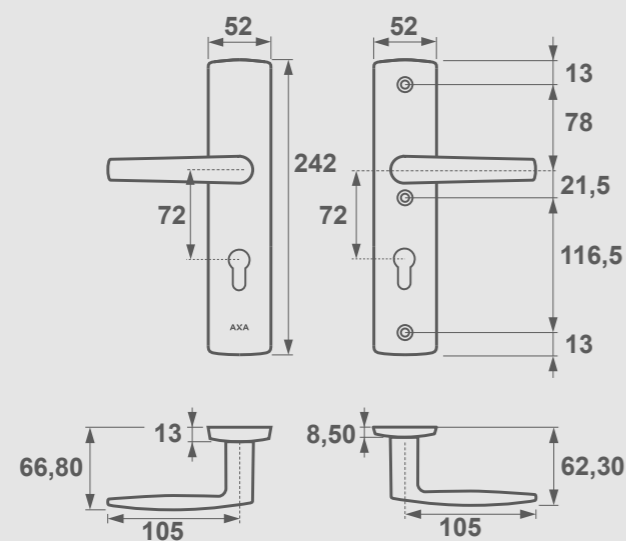
++ version* available soon.



handle+handle F6

rosette F6

handle+knob F6



Safety class 3



Standard version

For technical drawings for other spacing values, see page 126.

* For more information on ++ version, see p. 7.

Available colours:

F1 Silver



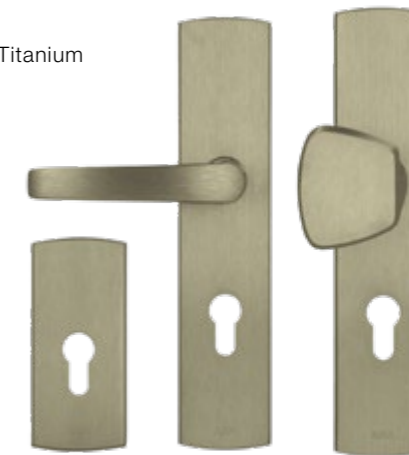
F4 Old Gold



F6 Inox



F9 Titanium



Protection:
Standard



Power-assist:
Within inner escutcheon plate



Spacing:
72, 92 mm



Finish:
Ground



Dedicated to:
External and staircase doors



Product:
Made in Poland



Additional information:

1. Can be used in strip locks
2. **F3 golden-coloured** fittings available on request in sets of **50 pcs.**
3. **90 mm spacing** when at least **50 complete sets** are ordered
4. Also available in the SOLO version for use with pull handle, page 98

DIVA FLEX

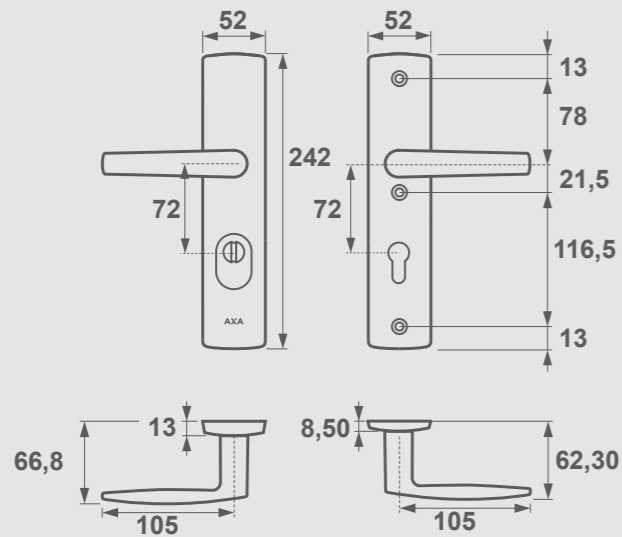
++ version* available soon.



handle+handle F6

rosette F6

handle+knob F6



Safety class 3



Fire protection certificate



Flex version

For technical drawings for other spacing values, see page 126.

* For more information on ++ version, see p. 7.

Available colours:



F1 Silver



F4 Old Gold



F6 Inox



F9 Titanium



Protection:
Flex



Power-assist:
Within inner escutcheon plate



Spacing:
72, 92 mm



Finish:
Ground



Dedicated to:
External and staircase doors



Product:
Made in Poland

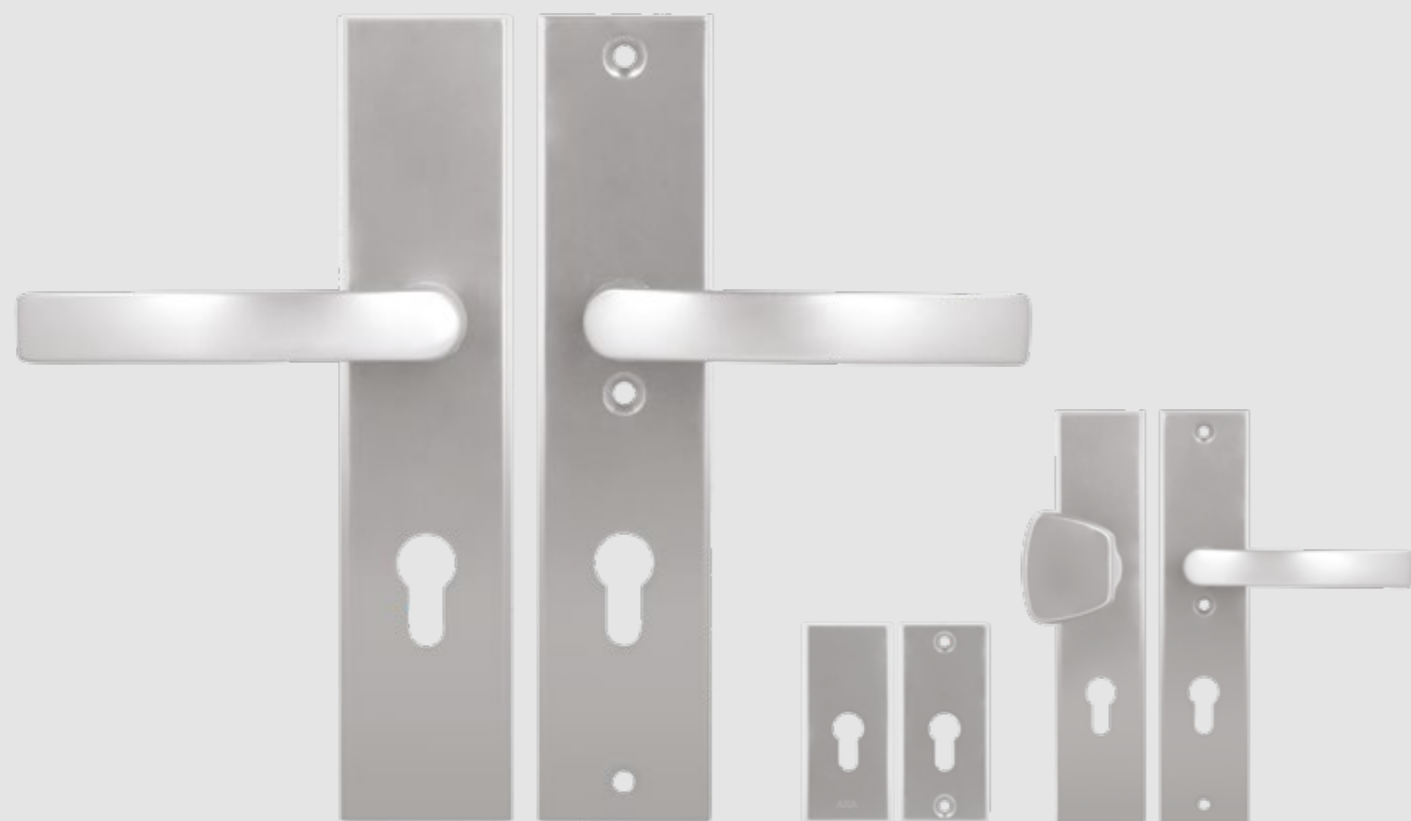


Additional information:

1. Can be used in strip locks
2. **F3 golden-coloured** fittings available on request in sets of **50 pcs.**
3. **90 mm spacing** when at least **50 complete sets** are ordered

ODIN

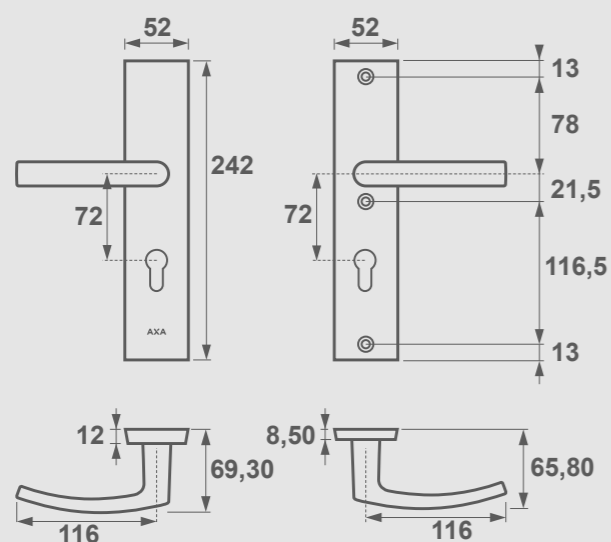
++ version* available soon.



handle+handle F6

rosette F6

handle+knob F6



Safety class 3

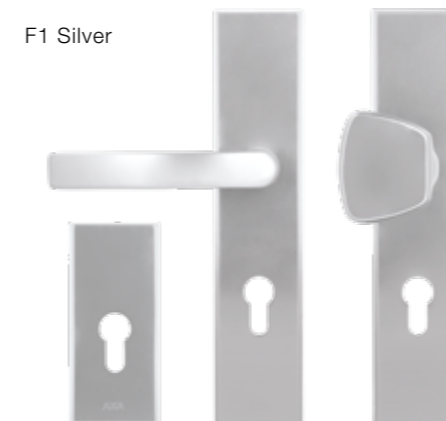


Standard version

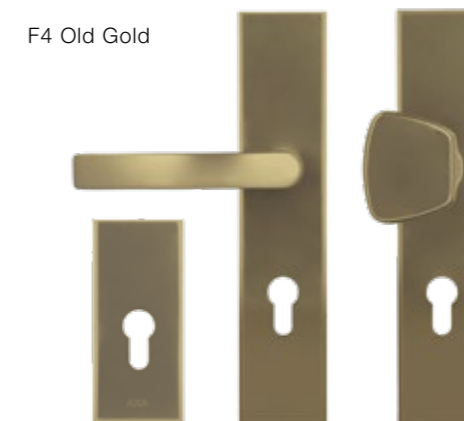
For technical drawings for other spacing values, see page 127.

* For more information on ++ version, see p. 7.

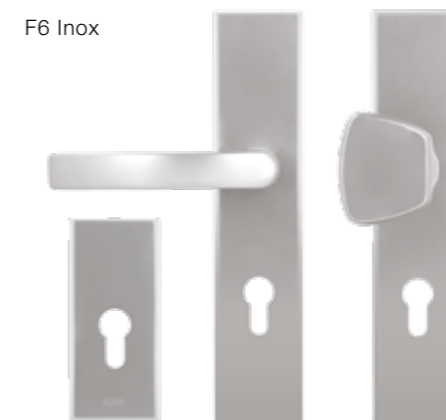
Available colours:



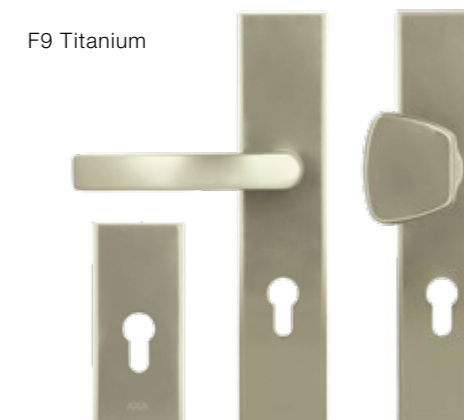
F1 Silver



F4 Old Gold



F6 Inox



F9 Titanium



Protection:
Standard



Power-assist:
Within inner escutcheon plate



Spacing:
72, 92 mm



Finish:
Polished



Dedicated to:
External and staircase doors



Product:
Made in Poland



Additional information:

1. Can be used in strip locks
2. **F8 black-coloured** fittings available on request in sets of **50 pcs.**, with additional charge amounting to 15% of the regular price for each set; **F3 golden-coloured** fittings available on request in sets of **50 pcs.**
3. **90 mm spacing** when at least **50 complete sets** are ordered

ODIN FLEX

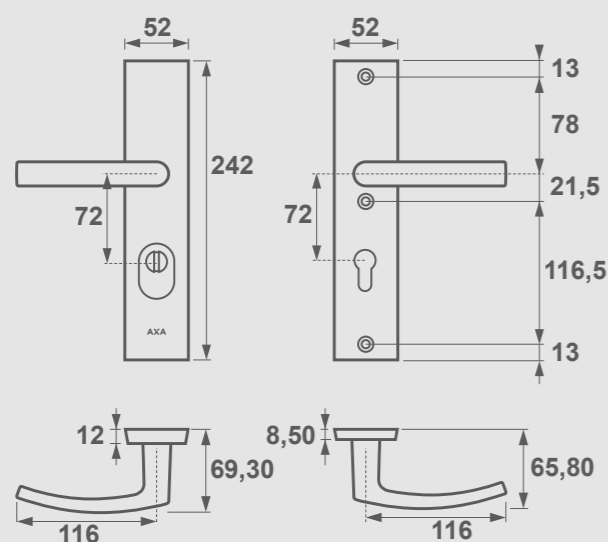
++ version* available soon.



handle+handle F6

rosette F6

handle+knob F6



Safety class 3



Fire protection certificate



Flex version

For technical drawings for other spacing values, see page 127.

* For more information on ++ version, see p. 7.

Available colours:



F1 Silver



F4 Old Gold



F6 Inox



F9 Titanium



Protection:
Flex



Power-assist:
Within inner escutcheon plate



Spacing:
72, 92 mm



Finish:
Polished



Dedicated to:
External and staircase doors



Product:
Made in Poland

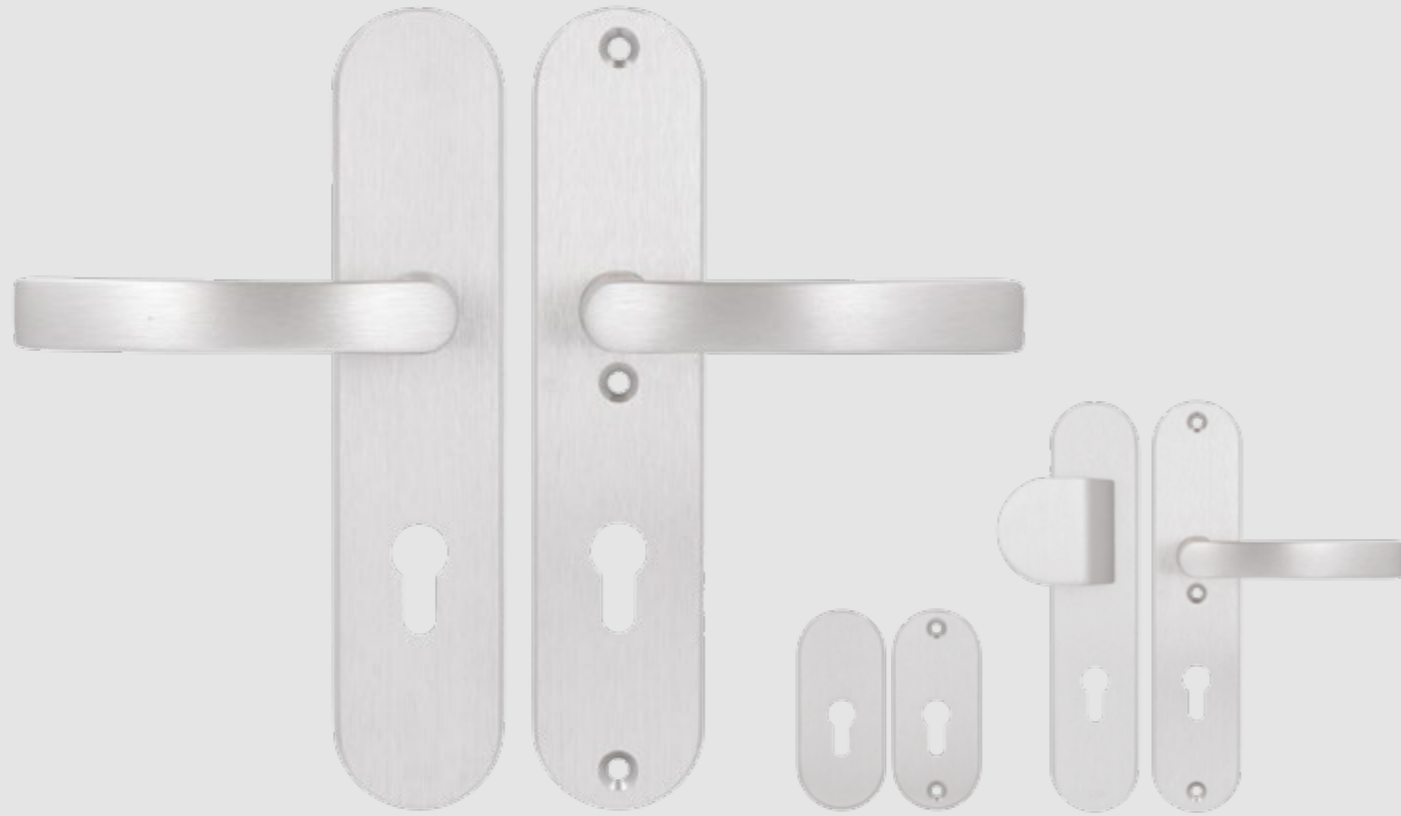


Additional information:

1. Can be used in strip locks
2. **F8 black-coloured** fittings available on request in sets of **50 pcs.**, with additional charge amounting to 15% of the regular price for each set; **F3 golden-coloured** fittings available on request in sets of **50 pcs.**
3. **90 mm spacing** when at least **50 complete sets** are ordered

QUEBEC

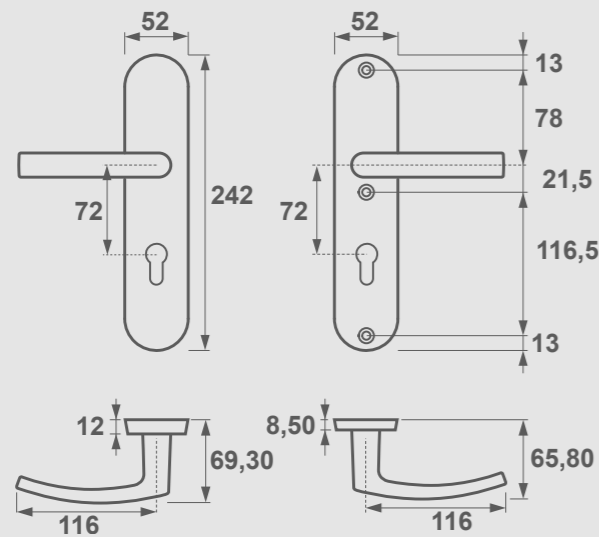
++ version* available soon.



handle+handle F6

rosette F6

handle+pusher F6



Safety class 3



Standard version

For technical drawings for other spacing values, see page 127.

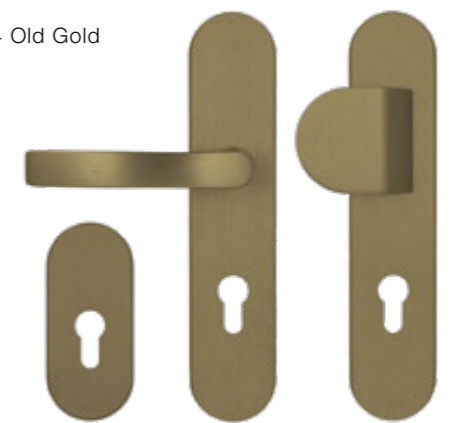
* For more information on ++ version, see p. 7.

Available colours:

F1 Silver



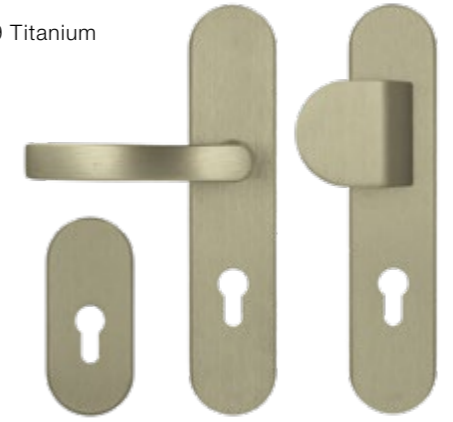
F4 Old Gold



F6 Inox



F9 Titanium



Protection:
Standard



Power-assist:
Within inner escutcheon plate



Spacing:
72, 92 mm



Finish:
Ground



Dedicated to:
External and staircase doors



Product:
Made in Poland



Additional information:

1. Can be used in strip locks
2. **F8 black-coloured** fittings available on request in sets of **50 pcs.**, with additional charge amounting to 15% of the regular price for each set; **F3 golden-coloured** fittings available on request in sets of **50 pcs.**
3. **90 mm spacing** when at least **50 complete sets** are ordered

QUEBEC FLEX

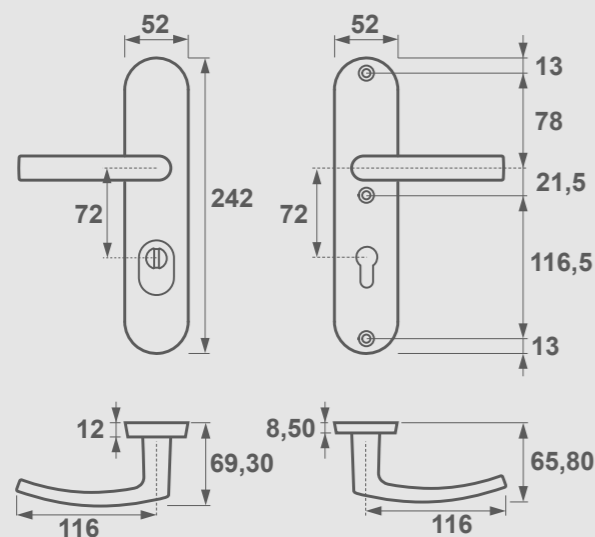
++ version* available soon.



handle+handle F6

rosette F6

handle+pusher F6



Safety class 3



Fire protection certificate



Flex version

For technical drawings for other spacing values, see page 128.

* For more information on ++ version, see p. 7.

Available colours:

F1 Silver



F4 Old Gold



F6 Inox



F9 Titanium



Protection:
Flex



Power-assist:
Within inner escutcheon plate



Spacing:
72, 92 mm



Finish:
Ground



Dedicated to:
External and staircase doors



Product:
Made in Poland

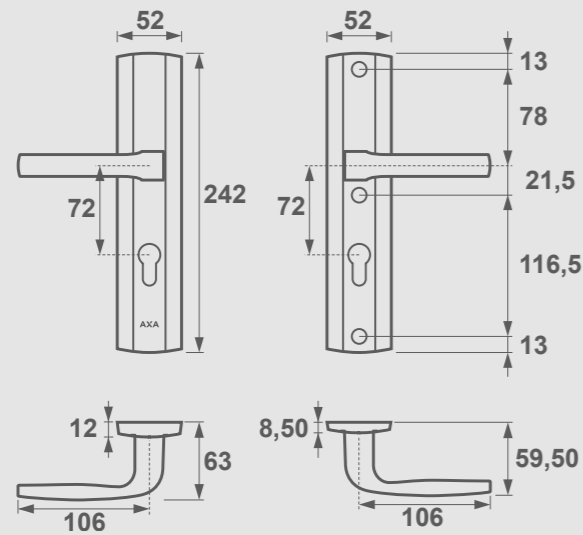


Additional information:

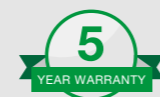
1. Can be used in strip locks
2. **F8 black-coloured** fittings available on request in sets of **50 pcs.**, with additional charge amounting to 15% of the regular price for each set; **F3 golden-coloured** fittings available on request in sets of **50 pcs.**
3. **90 mm spacing** when at least **50 complete sets** are ordered

PRESTIGE

++ version* available soon.



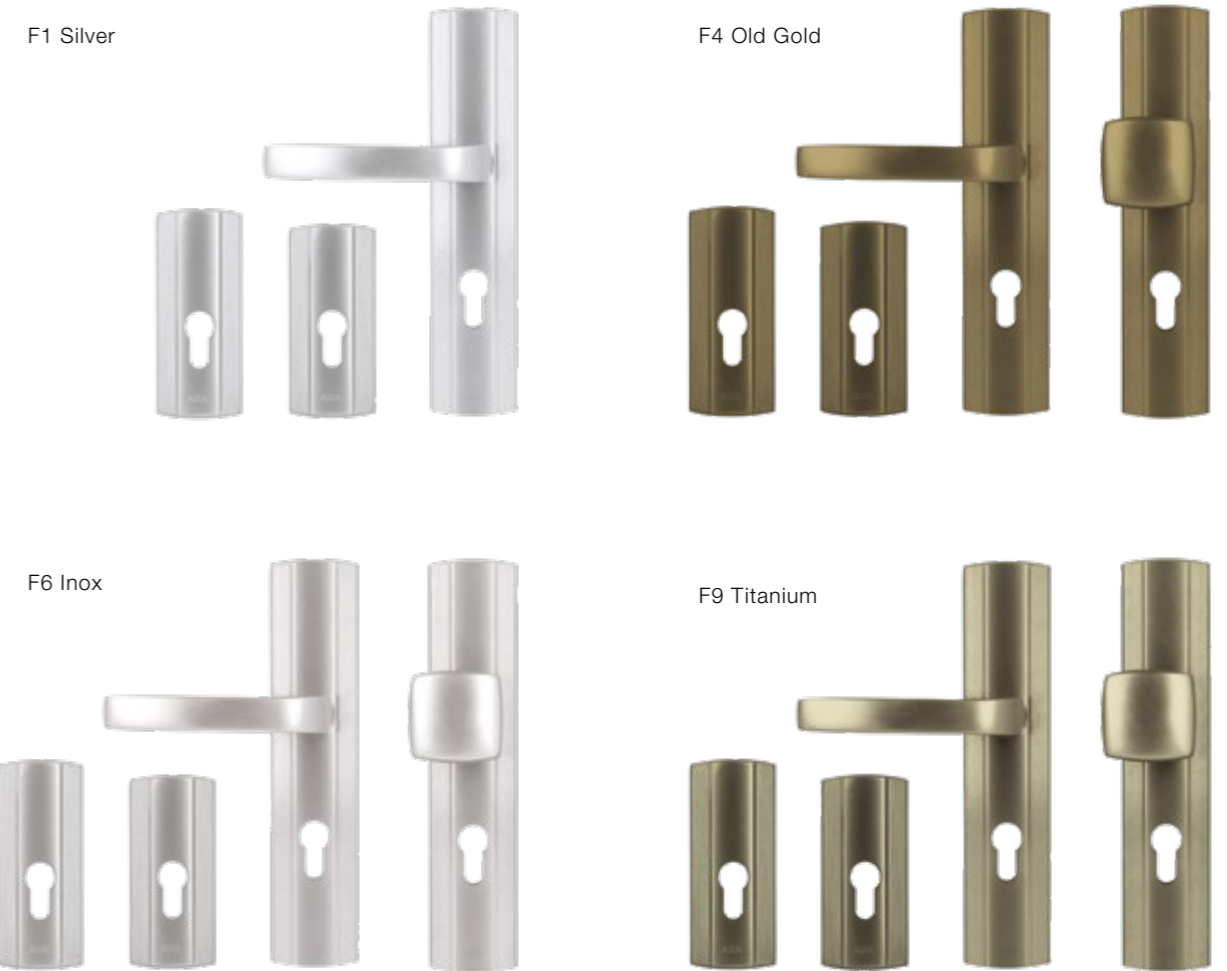
For technical drawings for other spacing values, see page 128.



Standard version

* For more information on ++ version, see p. 7.
** Fixed knob.

Available colours:



Protection:
Standard



Power-assist:
Within inner escutcheon plate



Spacing:
72, 92 mm



Finish:
Semi-polished /
Semi-ground



Dedicated to:
External and staircase doors



Product:
Made in Poland

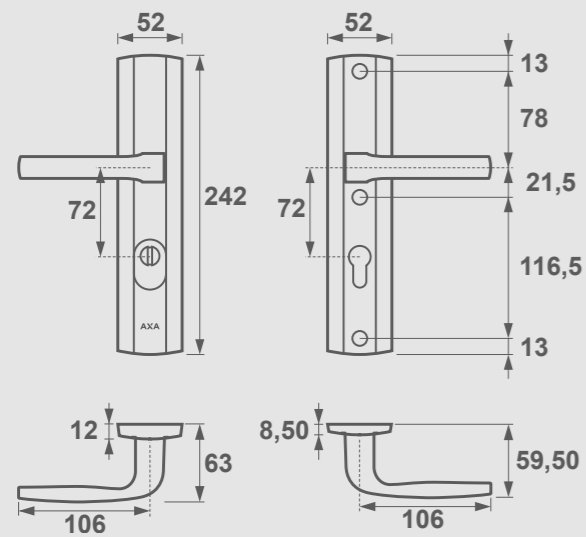


Additional information:

1. Can be used in strip locks
2. **F8 black-coloured** fittings available on request in sets of **50 pcs.**, with additional charge amounting to 15% of the regular price for each set; **F3 golden-coloured** fittings available on request in sets of **50 pcs.**, (except for long rosettes)

PRESTIGE FLEX

++ version* available soon.



Safety class 3



Flex version



Fire protection certificate



knob+knob**

Available colours:

F1 Silver



F3 Golden



F4 Old Gold



F6 Inox



F8 Black



F9 Titanium



Protection:
Flex



Power-assist:
Within inner escutcheon plate



Spacing:
72, 90*, 92 mm



Finish:
Semi-polished /
Semi-ground



Dedicated to:
External and staircase doors



Product:
Made in Poland



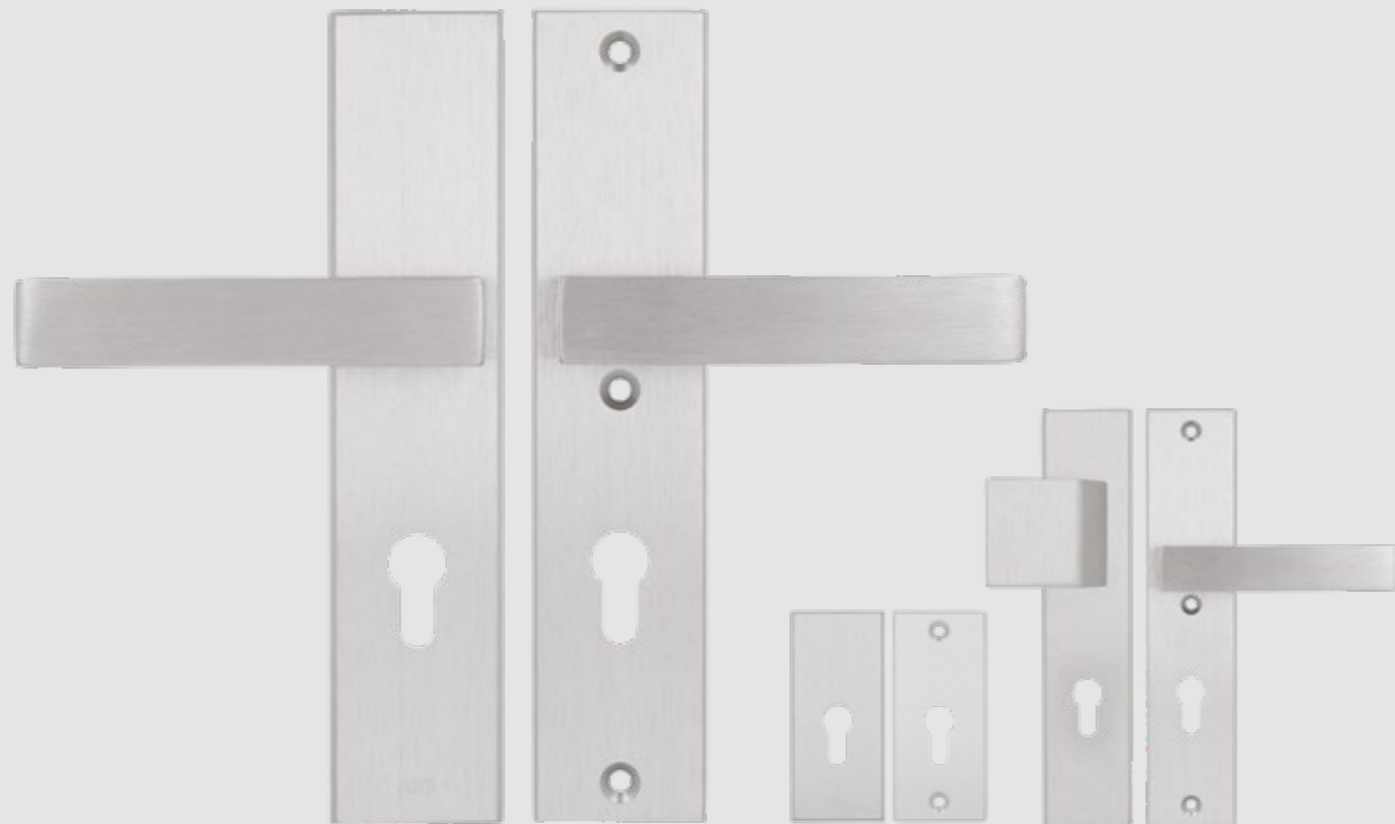
Additional information:
1. Can be used in strip locks

* except for F3 colour version

For technical drawings presenting other spacing values, see pages 128-129.

* For more information on ++ version, see p. 7.
** Fixed knob.

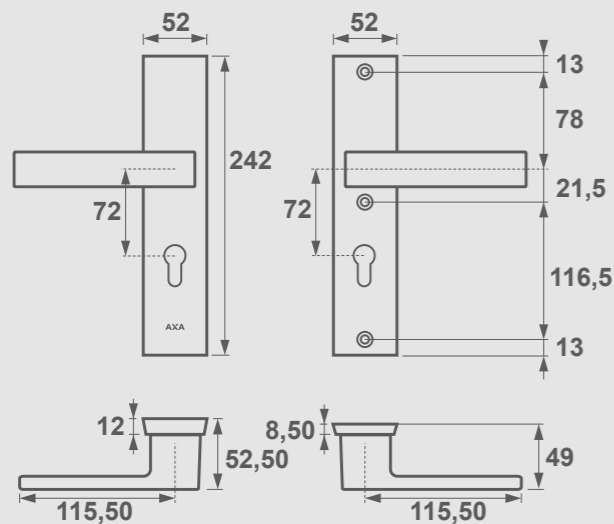
ROYAL++



handle+handle F6

rosette F6

handle+pusher F6



For technical drawings for other spacing values, see page 129.



Safety class 3



Standard version

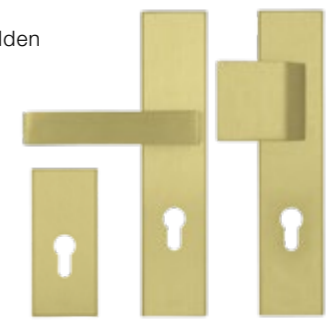
For more information on ++ version, see p. 7.

Available colours:

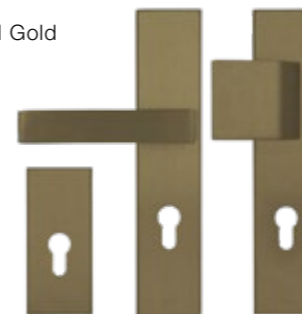
F1 Silver



F3 Golden



F4 Old Gold



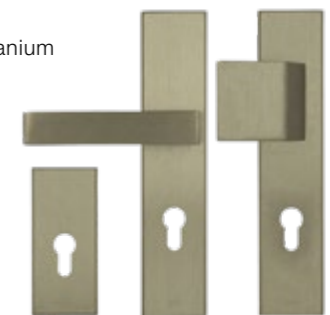
F6 Inox



F8 Black



F9 Titanium



Protection:
Standard



Power-assist:
Yes, within inner
and outer escutcheon plate



Spacing:
72, 92 mm



Finish:
Ground



Dedicated to:
External and staircase doors



Integrated door handle:
Yes



Additional information:
1. Can be used in strip locks
2. **90 mm spacing** when at least **50 complete sets** are ordered



Product:
Made in Poland



Faster installation

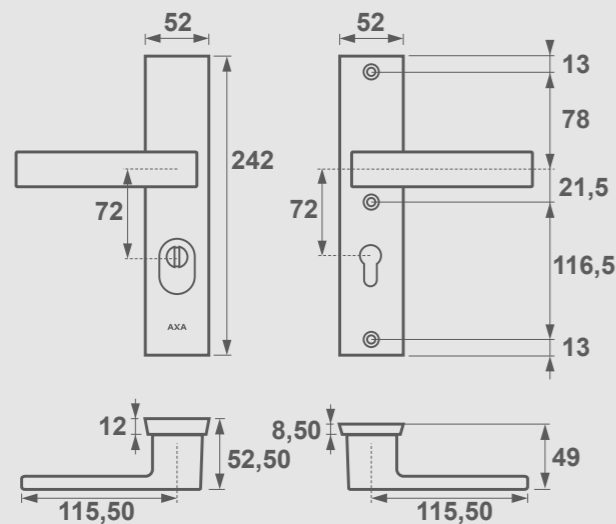
ROYAL FLEX++



handle+handle F6

rosette F6

handle+pusher F6



For technical drawings for other spacing values, see page 129.



Safety class 3



Fire protection certificate



Flex version

For more information on ++ version, see p. 7.

Available colours:

F1 Silver



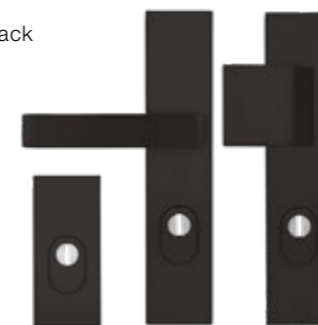
F4 Old Gold



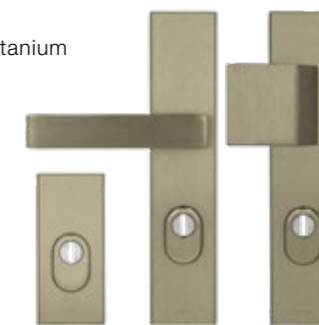
F6 Inox



F8 Black



F9 Titanium



Protection:
Flex



Power-assist:
Yes, within inner and outer escutcheon plate



Spacing:
72, 92 mm



Finish:
Ground



Dedicated to:
External and staircase doors



Integrated door handle:
Yes



Additional information:

1. Can be used in strip locks
2. **F3 golden-coloured** fittings available on request in sets of **50 pcs.**
3. **90 mm spacing** when at least **50 complete sets** are ordered
4. Also available in the SOLO version for use with pull handle, page 98



Product:
Made in Poland



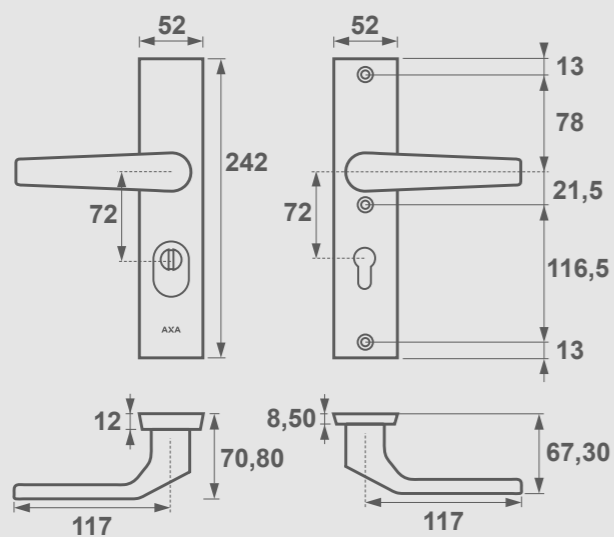
Faster installation

KIOTO FLEX PREMIUM



handle+handle K7

rosette K7



For technical drawings for other spacing values, see page 130.



Safety class 3



Fire protection certificate



Flex Premium version

Available colours:

K7 anthracite fine structure



Protection:
Flex



Power-assist:
In grip - Premium



Spacing:
72, 92 mm



Finish:
Powder painted



Dedicated to:
External and staircase doors



Integrated door handle:
Yes



Faster installation



Reliability



Product:
Made in Poland



Additional information:

1. Fittings in anodized colours available for order in sets of 50 pcs.*
2. 90 mm spacing when at least 50 complete sets are ordered



Restricted design

* Anode colours see page 5

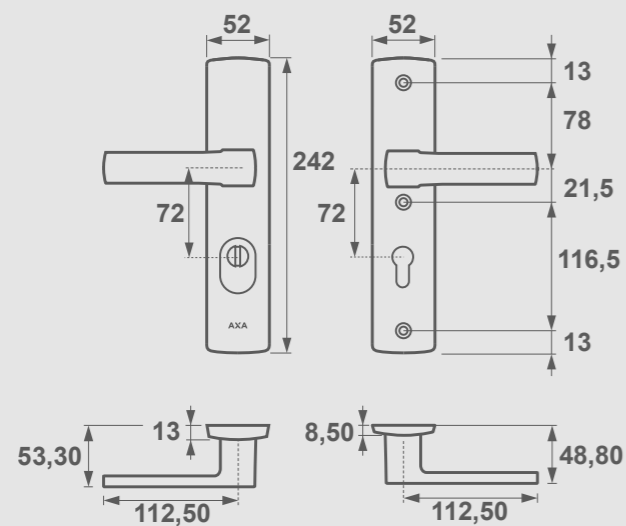
APOLLO FLEX PREMIUM



handle+handle F6

rosette F6

handle+pusher F6



For technical drawings for other spacing values, see page 130.



Safety class 3



Fire protection certificate



Flex Premium version

Available colours:

F1 Silver



F4 Old Gold



F6 Inox



F8 Black



F9 Titanium



Protection:
Flex



Power-assist:
In grip – Premium



Spacing:
72, 92 mm



Finish:
Ground



Dedicated to:
External and staircase doors



Integrated door handle:
Yes



Faster installation



Reliability



Product:
Made in Poland



Additional information:

1. Can be used in strip locks
2. **F3 golden-coloured** fittings available on request in sets of **50 pcs.**
3. **90 mm spacing** when at least **50 complete sets** are ordered

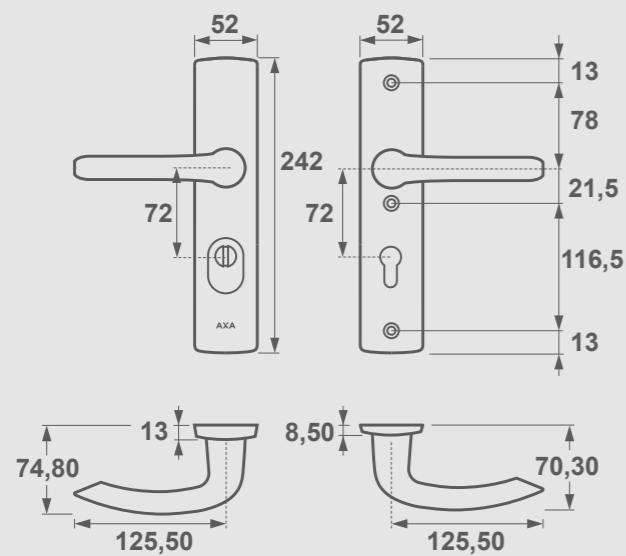
JUPITER FLEX PREMIUM



handle+handle F6

rosette F6

handle+pusher F6



For technical drawings for other spacing values, see page 130.



Safety class 3



Fire protection certificate



Flex Premium version

Available colours:

F1 Silver



F4 Old Gold



F6 Inox



F8 Black



F9 Titanium



Protection:
Flex



Power-assist:
In grip – Premium



Spacing:
72, 92 mm



Finish:
Ground



Dedicated to:
External and staircase doors



Integrated door handle:
Yes



Faster installation



Reliability



Product:
Made in Poland



Additional information:

1. Can be used in strip locks
2. **F3 golden-coloured** fittings available on request in sets of **50 pcs.**
3. **90 mm spacing** when at least **50 complete sets** are ordered

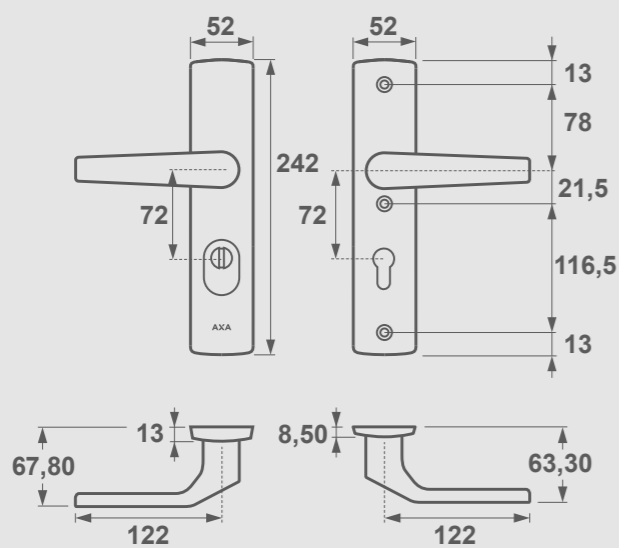
ARROW FLEX PREMIUM



handle+handle F6

rosette F6

handle+pusher F6



Safety class 3



Fire protection certificate



Flex Premium version

For technical drawings presenting other spacing values, see pages 130-131.

Available colours:



F1 Silver



F4 Old Gold



F6 Inox



F8 Black



F9 Titanium



Protection:
Flex



Power-assist:
In grip - Premium



Spacing:
72, 92 mm



Finish:
Ground



Dedicated to:
External and staircase doors



Integrated door handle:
Yes



Faster installation



Reliability



Product:
Made in Poland



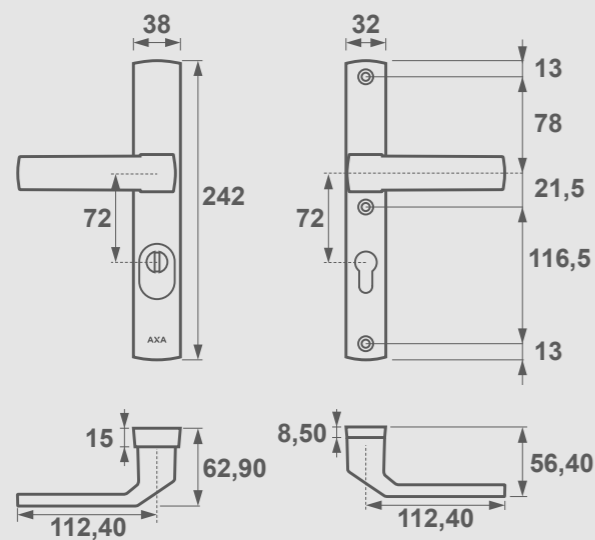
Additional information:

1. Can be used in strip locks
2. **F3 golden-coloured** fittings available on request in sets of **50 pcs.**
3. **90 mm spacing** when at least **50 complete sets** are ordered

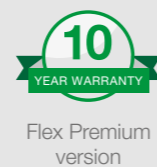
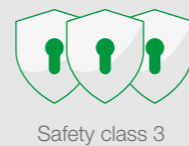


Restricted design

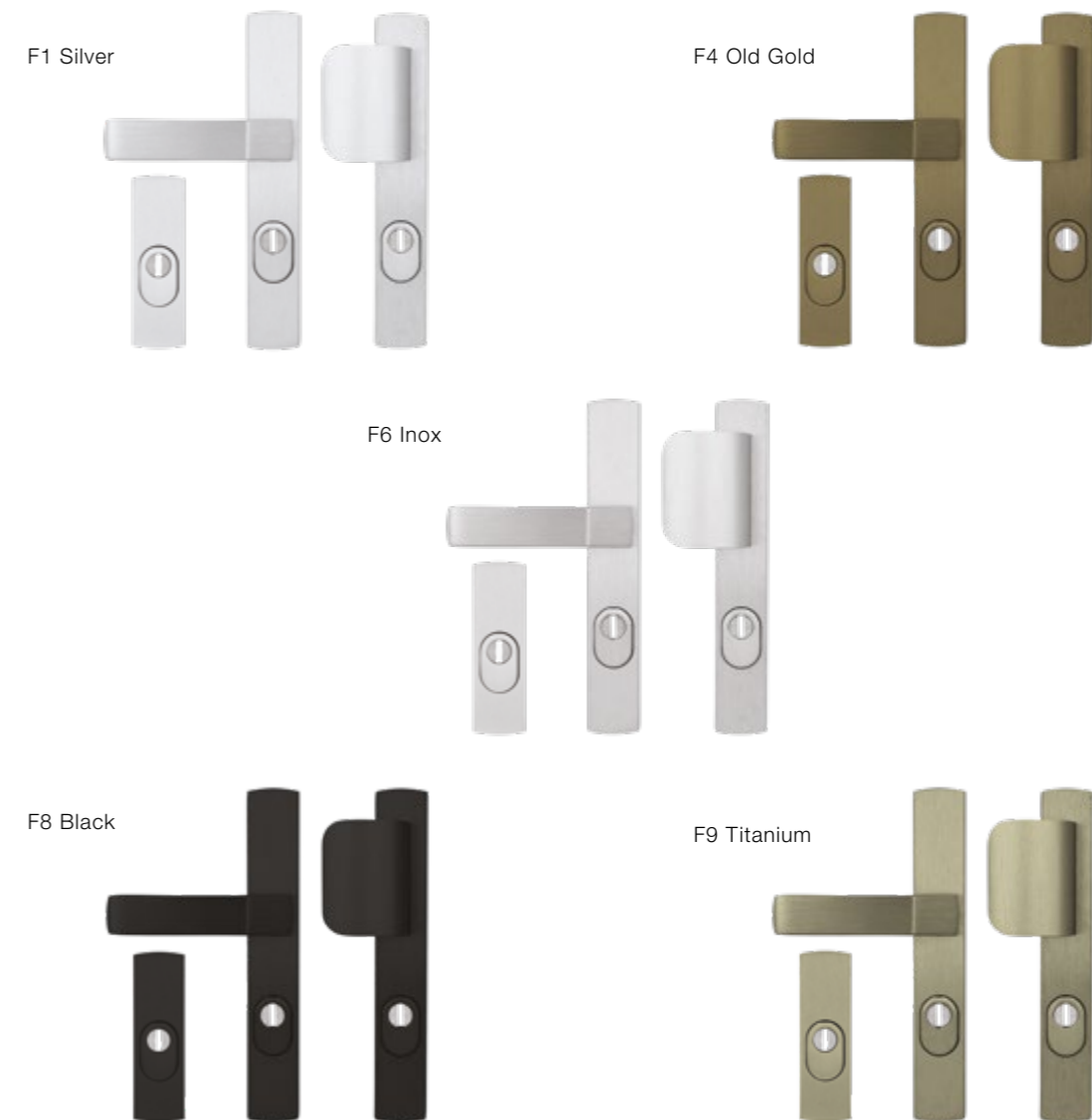
SOLID FLEX PREMIUM



For technical drawings for other spacing values, see page 131.



Available colours:



Protection:
Flex



Finish:
Ground



Faster installation



Additional information:

1. Can be used in strip locks
2. **F3 golden-coloured** fittings available on request in sets of **50 pcs.**
3. **90 mm spacing** when at least **50 complete sets** are ordered
4. Also available in the SOLO version for use with pull handle, page 98



Power-assist:
In grip – Premium



Dedicated to:
External and staircase doors



Reliability



Spacing:
72, 92 mm



Integrated door handle:
Yes

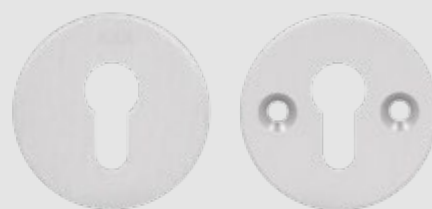
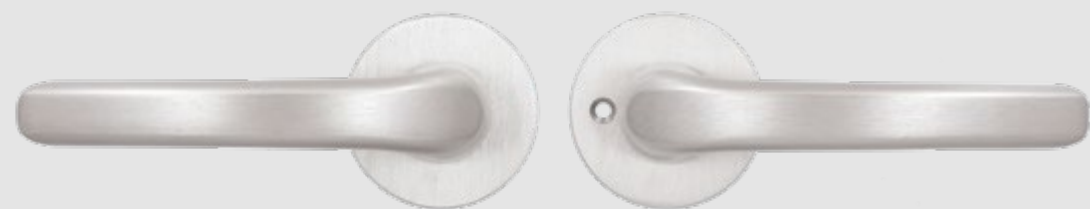


Product:
Made in Poland

DIANA

PREMIUM

CLICK version*
available soon.



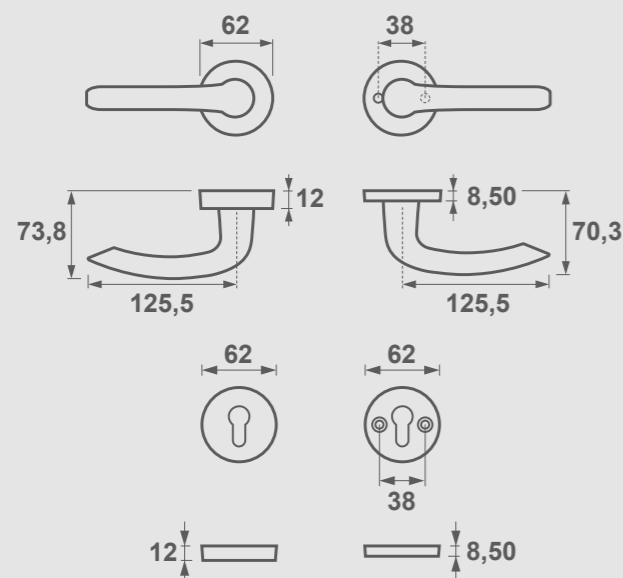
handle+handle F6



handle+knob F6



rosette F6



Safety class 3



Fire protection certificate



Premium version

For technical drawings for other spacing values, see page 131.

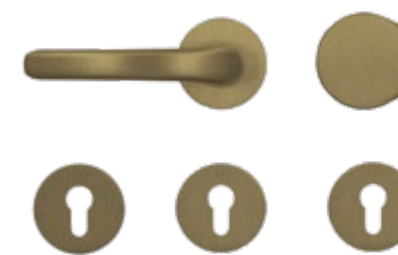
* For more information on Click version, see p. 9.

Available colours:

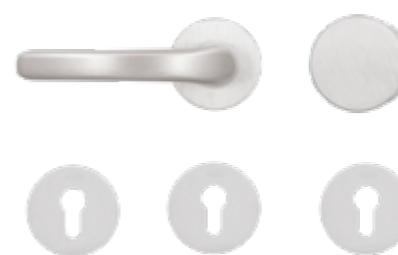
F1 Silver



F4 Old Gold



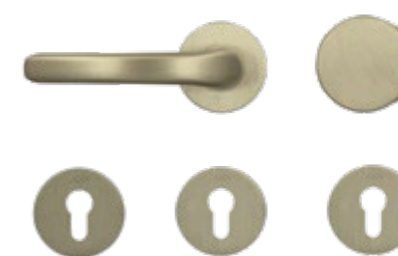
F6 Inox



F8 Black



F9 Titanium



Protection:
Standard



Power-assist:
In grip – Premium



Integrated door handle:
Yes



Finish:
Ground



Dedicated to:
External and staircase doors



Product:
Made in Poland



Faster installation



Reliability

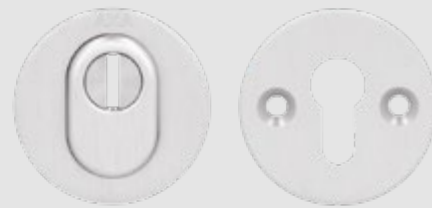
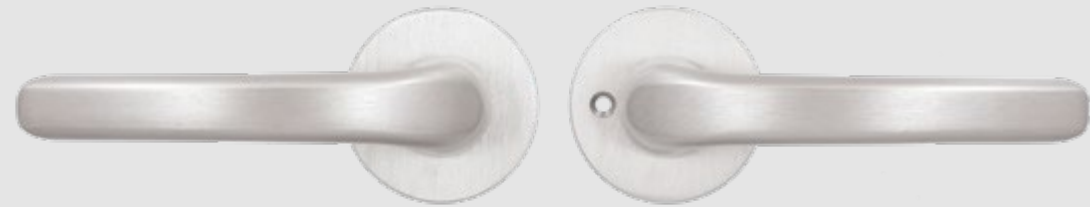


Additional information:

1. Can be used in strip locks
2. **F3 golden-coloured** fittings available on request in sets of **50 pcs.**
3. Standard: 150 mm (floating) pin for handle, 125 mm for knob, 100 mm screws
4. Fixed knob

DIANA FLEX PREMIUM

CLICK version*
available soon.



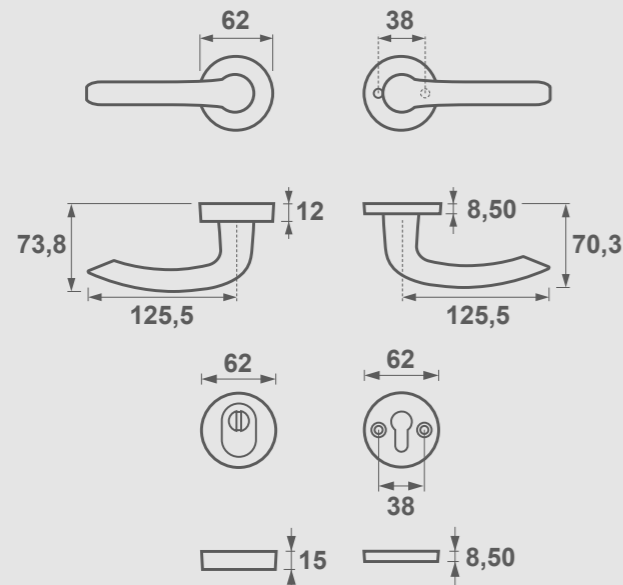
handle+handle F6



rosette F6



handle+knob F6



Safety class 3



Fire protection certificate



Flex Premium version

For technical drawings for other spacing values, see page 131.

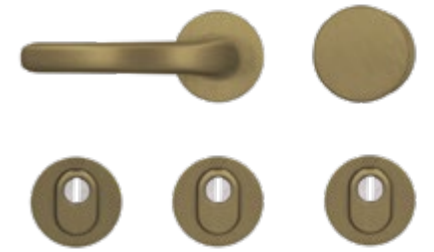
* For more information on Click version, see p. 9.

Available colours:

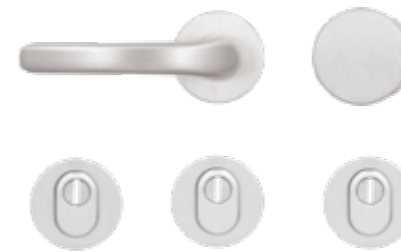
F1 Silver



F4 Old Gold



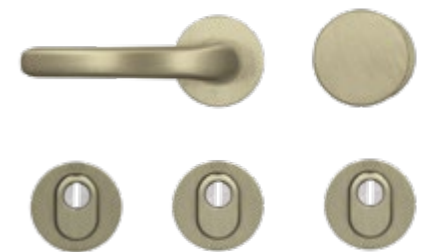
F6 Inox



F8 Black



F9 Titanium



Rosette: 15 mm



Protection:
Flex



Power-assist:
In grip - Premium



Integrated door handle:
Yes



Finish:
Ground



Dedicated to:
External and staircase doors



Product:
Made in Poland



Faster installation



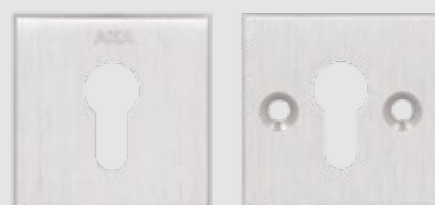
Reliability



Additional information:

1. Can be used in strip locks
2. **F3 golden-coloured** fittings available on request in sets of **50 pcs.**
3. Standard: 150 mm (floating) pin for handle, 125 mm for knob, 100 mm screws
4. Fixed knob
5. Also available in the SOLO version for use with pull handle, page 97

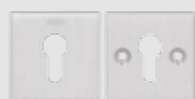
MARS CLICK



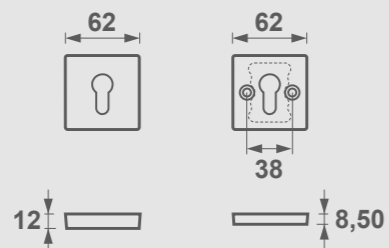
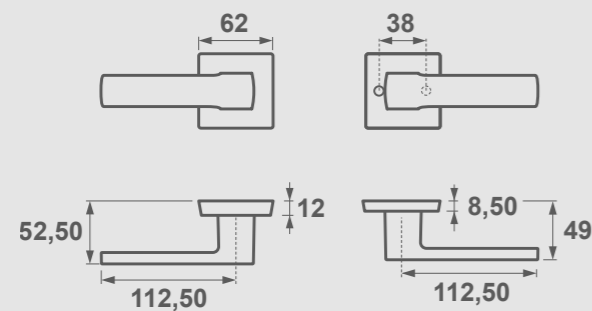
handle+handle F6



handle+knob F6



rosette F6



For technical drawings for other spacing values, see page 131.



Safety class 3



Fire protection certificate



Premium version

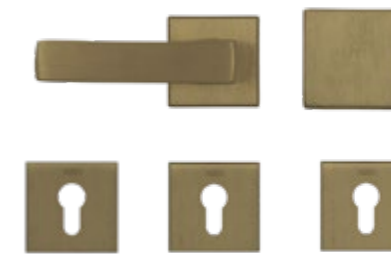
For more information on Click version, see p. 9.

Available colours:

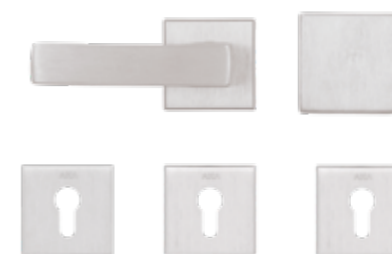
F1 Silver



F4 Old Gold



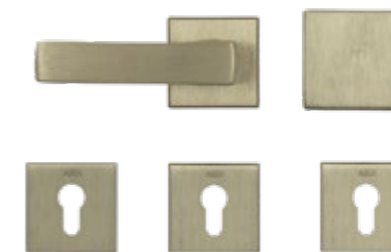
F6 Inox



F8 Black



F9 Titanium



Protection:
Standard



Power-assist:
In grip - Premium



Integrated door handle:
Yes



Finish:
Ground



Dedicated to:
External and staircase doors



Product:
Made in Poland



Faster installation



Reliability



Click version



Additional information:

1. Can be used in strip locks
2. **F3 golden-coloured** fittings available on request in sets of **50 pcs.**
3. Standard: 150 mm (floating) pin for handle, 125 mm for knob, 100 mm screws
4. Fixed knob

MARS FLEX CLICK



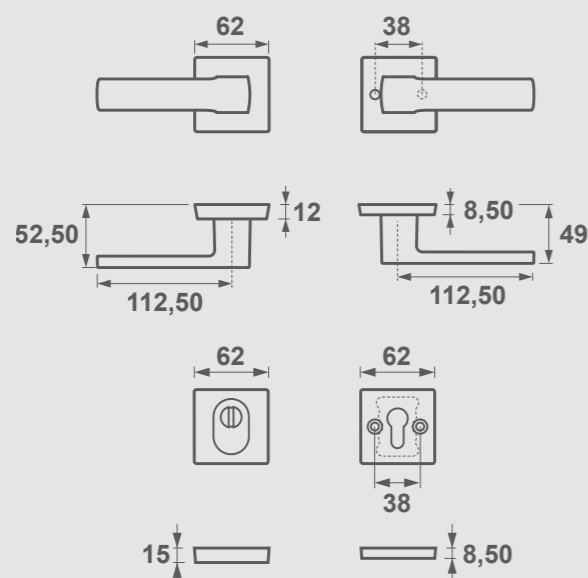
handle+handle F6



rosette F6



handle+knob F6



For technical drawings for other spacing values, see page 131.



Safety class 3



Fire protection certificate



Flex Premium version

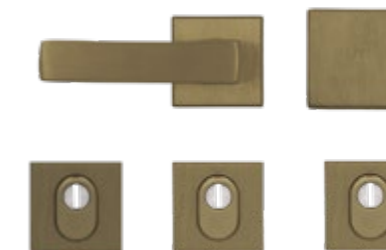
For more information on Click version, see p. 9.

Available colours:

F1 Silver



F4 Old Gold



F6 Inox



F8 Black



F9 Titanium



Rosette: 15 mm



Protection:
Flex



Power-assist:
In grip - Premium



Integrated door handle:
Yes



Finish:
Ground



Dedicated to:
External and staircase doors



Product:
Made in Poland



Faster installation



Reliability



Click version



Additional information:

1. Can be used in strip locks
2. **F3 golden-coloured** fittings available on request in sets of **50 pcs.**
3. Standard: 150 mm (floating) pin for handle, 125 mm for knob, 100 mm screws
4. Fixed knob
5. Also available in the SOLO version for use with pull handle, page 97

SAFETY

CLASS 4



04

photo: AXA©.

Highest safety class ◀

Escutcheon plate reinforced with additional hardened sheet metal ◀



Faster installation



Reliability



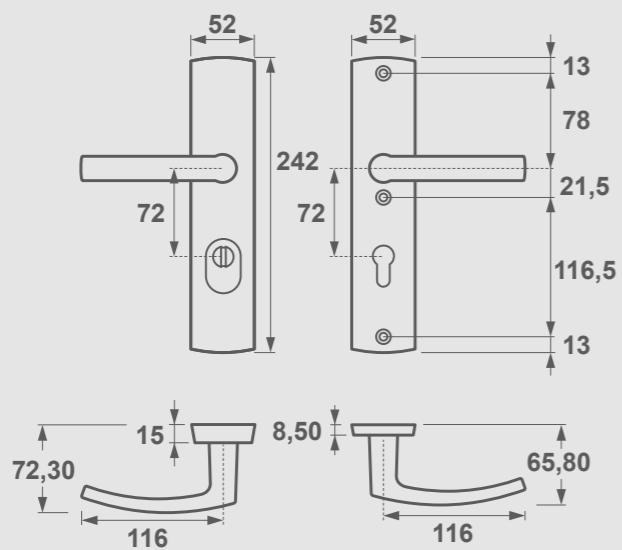
TORONTO FLEX



handle+handle F6

rosette F6

handle+pusher F6



For technical drawings for other spacing values, see page 132.



Safety class 4



Available colours:

F1 Silver



F4 Old Gold



F6 Inox



F9 Titanium



15 mm escutcheon plate reinforced with additional hardened sheet metal!



Protection:
Flex



Power-assist:
Within inner escutcheon plate



Spacing:
72, 92 mm



Finish:
Ground



Dedicated to:
External and staircase doors



Product:
Made in Poland



Additional information:

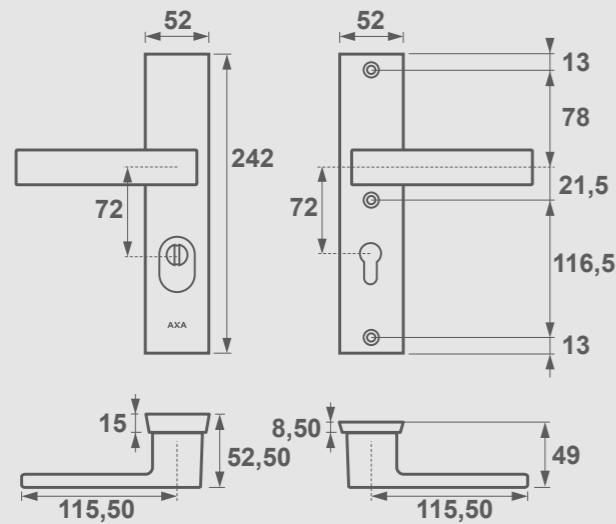
1. Can be used in strip locks
2. **F8 black-coloured** fittings available on request in sets of **50 pcs.**, with additional charge amounting to 15% of the regular price for each set; **F3 golden-coloured** fittings available on request in sets of **50 pcs.**
3. **90 mm spacing** when at least **50 complete sets** are ordered

VERMONT FLEX



handle+handle F6

rosette F6



Safety class 4



Flex version

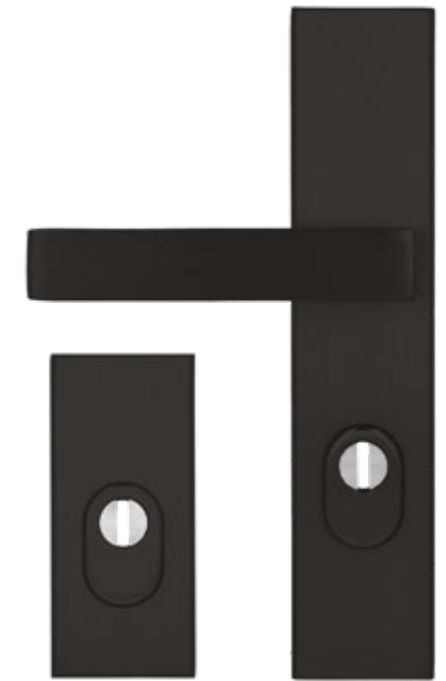
For technical drawings for other spacing values, see page 132.

Available colours:

F6 Inox



F8 Black



15 mm escutcheon plate reinforced with additional hardened sheet metal!



Protection:
Flex



Power-assist:
Within inner escutcheon plate



Spacing:
72, 92 mm



Finish:
Ground



Dedicated to:
External and staircase doors



Product:
Made in Poland



Additional information:

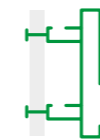
1. Can be used in strip locks
2. **F8 black-coloured** fittings available on request in sets of **50 pcs.**, with additional charge amounting to 15% of the regular price for each set; **F3 golden-coloured** fittings available on request in sets of **50 pcs.**
3. **90 mm spacing** when at least **50 complete sets** are ordered

PULL HANDLES



photo: AXA©.

05



2 installation methods



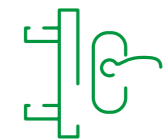
one-sided pin in fittings



6 lengths



termo



dedicated fittings



wireless connection



electro-button



5 colours



engraved



warranty



various shapes

GET TO KNOW OUR NEW TWO-METRE-LONG



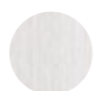
DUBAJ and SZANGHAJ pull handles



Dubaj and Shanghai are new products in AXA's range – two-metre-long pull handles featuring an original installation method facilitating their shortening and perfect adjustment to your door or glazing height!

A unique way of fixing the mounting posts, i.e. masking the cuts, allows to maintain the pusher aesthetics and its original look.

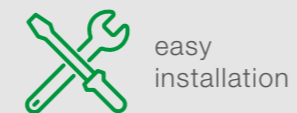
Available in two colour versions plus versions for wooden, steel, aluminium and PVC doors.



F6



F8



Pull handle characteristics

Pull handles for every door

Mounted from the outside:

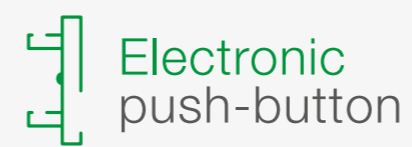


1. Montreal one-sided skew pull handle, straight-through mounting method
2. Upper rosette in safety class 3 with Flex cylinder protection
3. Escutcheon plate in safety class 3 with Flex cylinder protection

Mounted from the inside:



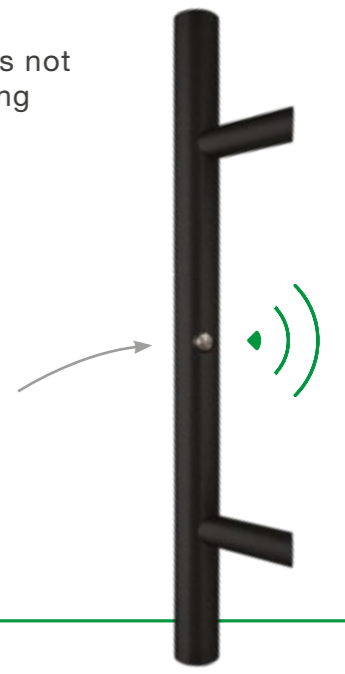
4. Pull handle mounting
5. Upper rosette
6. Single-sided handle with escutcheon plate
7. Pull handle mounting



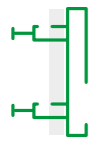
Extremely convenient and functional
– a door can be opened automatically using a button provided on the inside of a pull handle.



Pull handle that does not require pulling cabling
AXA model registered at the Patent Office.

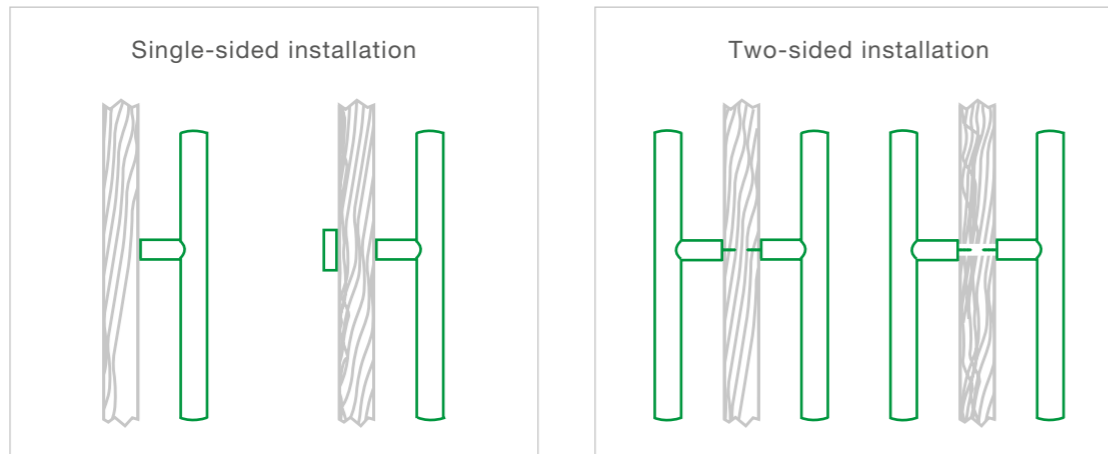


NEW



2 pull handle installation methods

We offer various fastenings facilitating pull handle appearance and functionality adjustment. They can be mounted with a screw or using the straight-through mounting method, with a "turbo" screw, rivet nut or TERMO sleeve. Both single-sided and two-sided pull handles can be mounted using these methods.



Depending on the mounting kit selected, they can be used on doors:
• For wood • straight-through • for aluminium • for PVC •

Comparison of properties of aluminium and stainless-steel pull handles



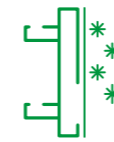
Stainless-steel pull handles

- ▶ **risk** of stains caused by various acids present in atmospheric precipitation
- ▶ coating **susceptible** to surface contamination and fingerprint stains
- ▶ **lack** of thermal insulation
- ▶ all impacts and mechanical **damage visible** on the surface
- ▶ visually **unattractive** design

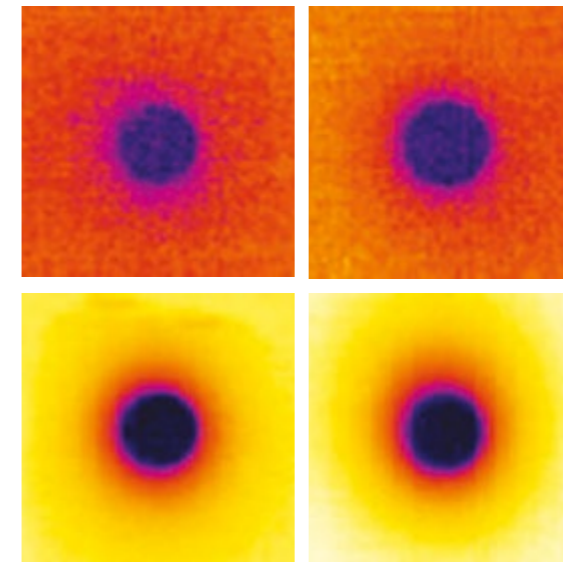
Aluminium pull handle

- ▶ surface **resistant** to outdoor factors
- ▶ coating **protecting** against handprint stains
- ▶ **very good** thermal insulation when used with the TERMO* solution
- ▶ surface considerably more resistant to impact-related damage
- ▶ **attractive design**, robust appearance

* for an additional surcharge



Patented TERMO* solution



More than 7 times lower heat losses with the patented TERMO solution!

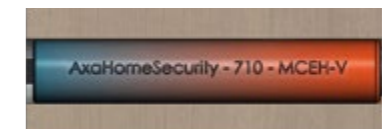
A thermal imaging camera test conducted at room temperature of 25°C and outdoor temperature of -5°C yielded the following results:

9,2°C

Pull handle with a standard sleeve

22,6°C

Pull handle with a thermal insulation sleeve

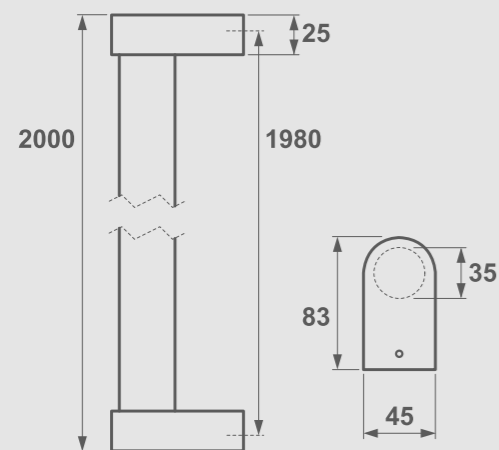


▼ Visualization of the use of Szanghaj pull handle; photo: AXA©

* for an additional fee



DUBAJ



Available colours:

F6 Inox

F8 Black



Installation methods:

- for wood
- straight-through mounting method
- for aluminium
- for PVC



- mounting elements straight-through with TERMO function as standard



Length:
up to 200 cm



Mounting post spacing:

Length (cm)	200
Spacing (cm)	198



Finish:
Ground

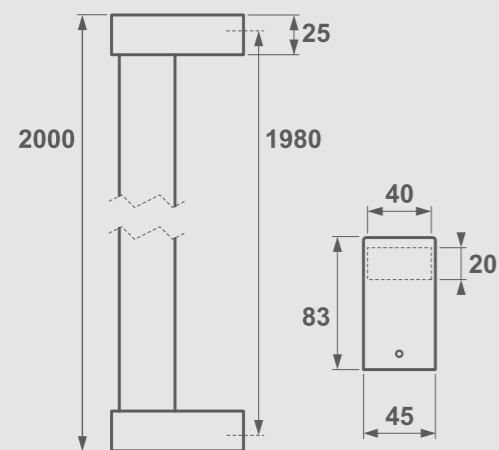


Dedicated to:
External and staircase doors



Product:
Made in Poland

SZANGHAJ



Available colours:

F6 Inox

F8 Black



Installation methods:

- for wood
- straight-through mounting method
- for aluminium
- for PVC



- mounting elements straight-through with TERMO function as standard



Length:
up to 200 cm



Mounting post spacing:

Length (cm)	200
Spacing (cm)	198



Finish:
Ground

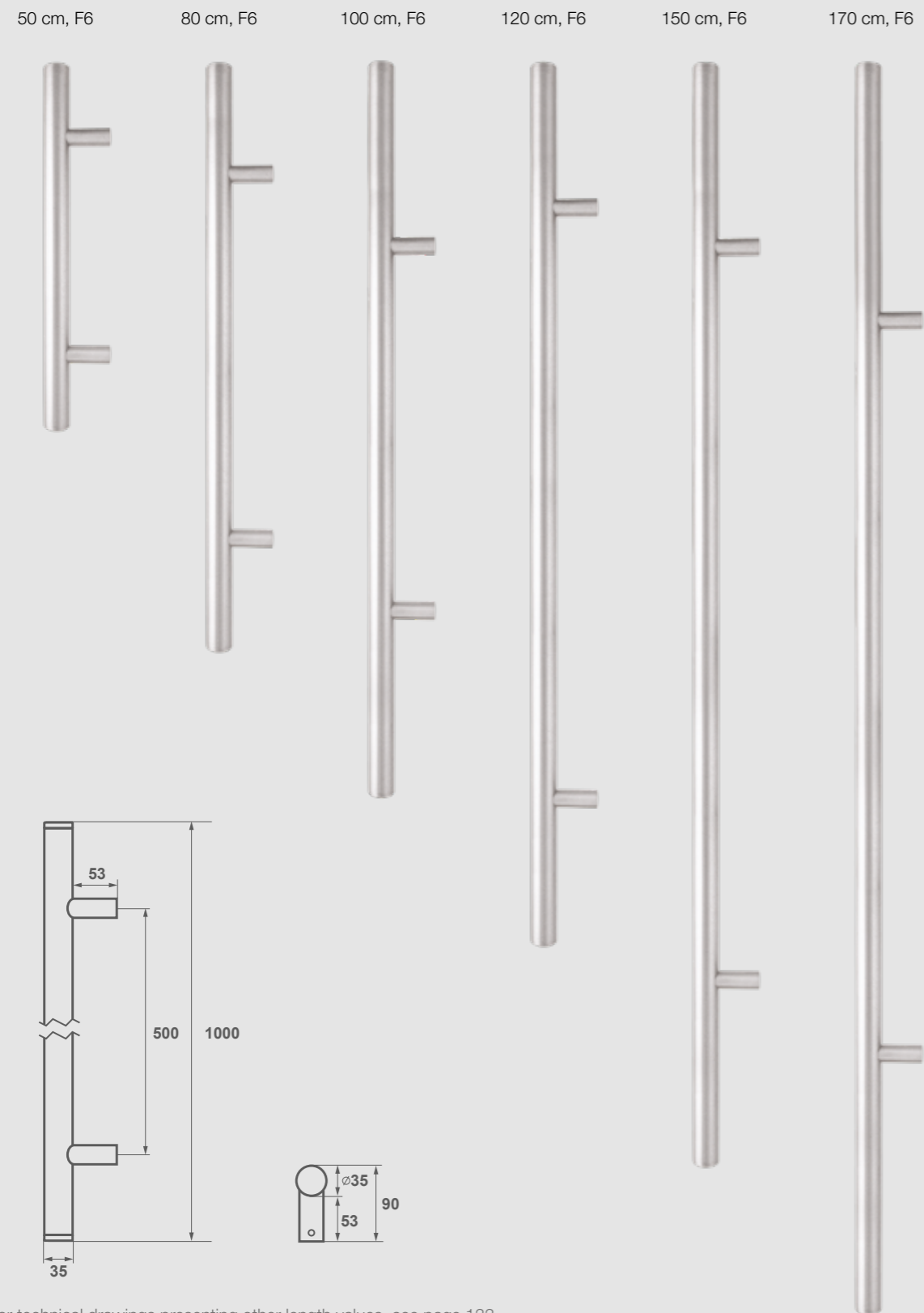


Dedicated to:
External and staircase doors



Product:
Made in Poland

MONTREAL STRAIGHT



For technical drawings presenting other length values, see page 133.

Available colours:



Suitable for wooden, PVC and aluminium doors (using dedicated mounting kits). Available in one-sided and two-sided versions and with electro-button (wired or wireless).

Installation methods:

- wood screws
- straight-through mounting method

Additional mounting elements:

Wood screws

- For aluminium doors with rivet nut*
- For PVC doors with turbo screw*

Straight-through mounting method

- With termo* function

* for an additional surcharge

Waves pull handle

Wireless solution possible*

* for an additional surcharge

Length:

50, 80, 100, 120, 150, 170 cm

Mounting post spacing:

Length (cm)	50	80	100	120	150	170
Spacing (cm)	30	50	50	80	99,8	99,8

Finish:

Ground

Dedicated to:

External and staircase doors

Product:

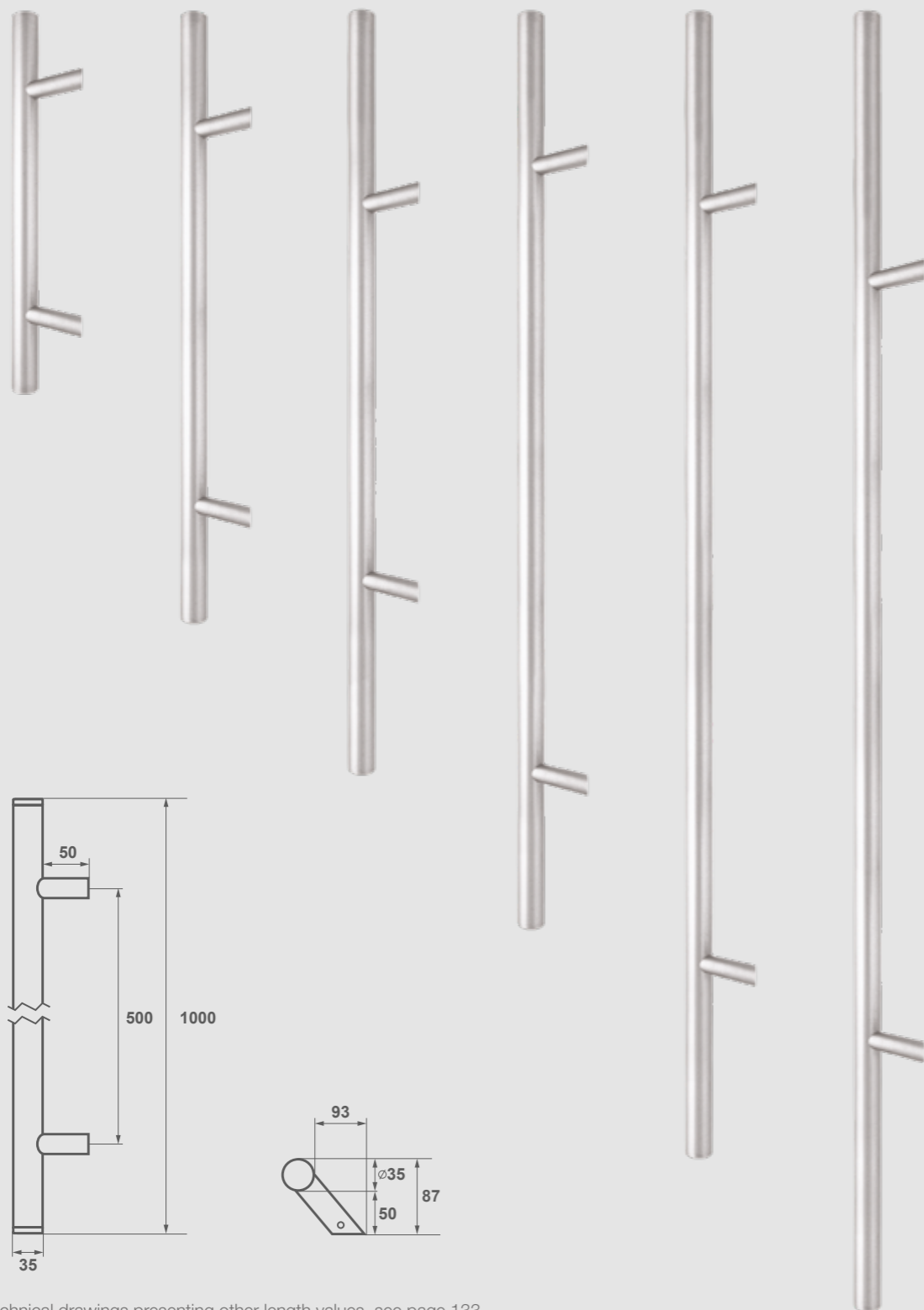
Made in Poland

Additional information:

1. Installation spacing depends on pull handle dimensions. The spacing shown in the drawing applies to 100 cm long pull handles. Other dimensions specified in the table above
2. **F3 golden-coloured** Montreal pull handles available on request in sets of **50 pcs.** without additional charge
3. Thermal insulation mounting – for an additional surcharge

MONTREAL SKEW

50 cm, F6 80 cm, F6 100 cm, F6 120 cm, F6 150 cm, F6 170 cm, F6



For technical drawings presenting other length values, see page 133.

Available colours:

F1 Silver F4 Old Gold F6 Inox F8 Black F9 Titanium



Suitable for wooden, PVC and aluminium doors (using dedicated mounting kits). Available in one-sided and two-sided versions and with electro-button (wired or wireless).

Installation methods:

- wood screws
- straight-through mounting method

Additional mounting elements:

Wood screws

- For aluminium doors with rivet nut*
- For PVC doors with turbo screw*

Straight-through mounting method

- With termo* function

* for an additional surcharge

Waves pull handle

Wireless solution possible*

* for an additional surcharge



Length:

50, 80, 100, 120, 150, 170 cm



Mounting post spacing:

Length (cm)	50	80	100	120	150	170
Spacing (cm)	30	50	50	80	99,8	99,8



Finish:

Ground



Dedicated to:

External and staircase doors



Product:

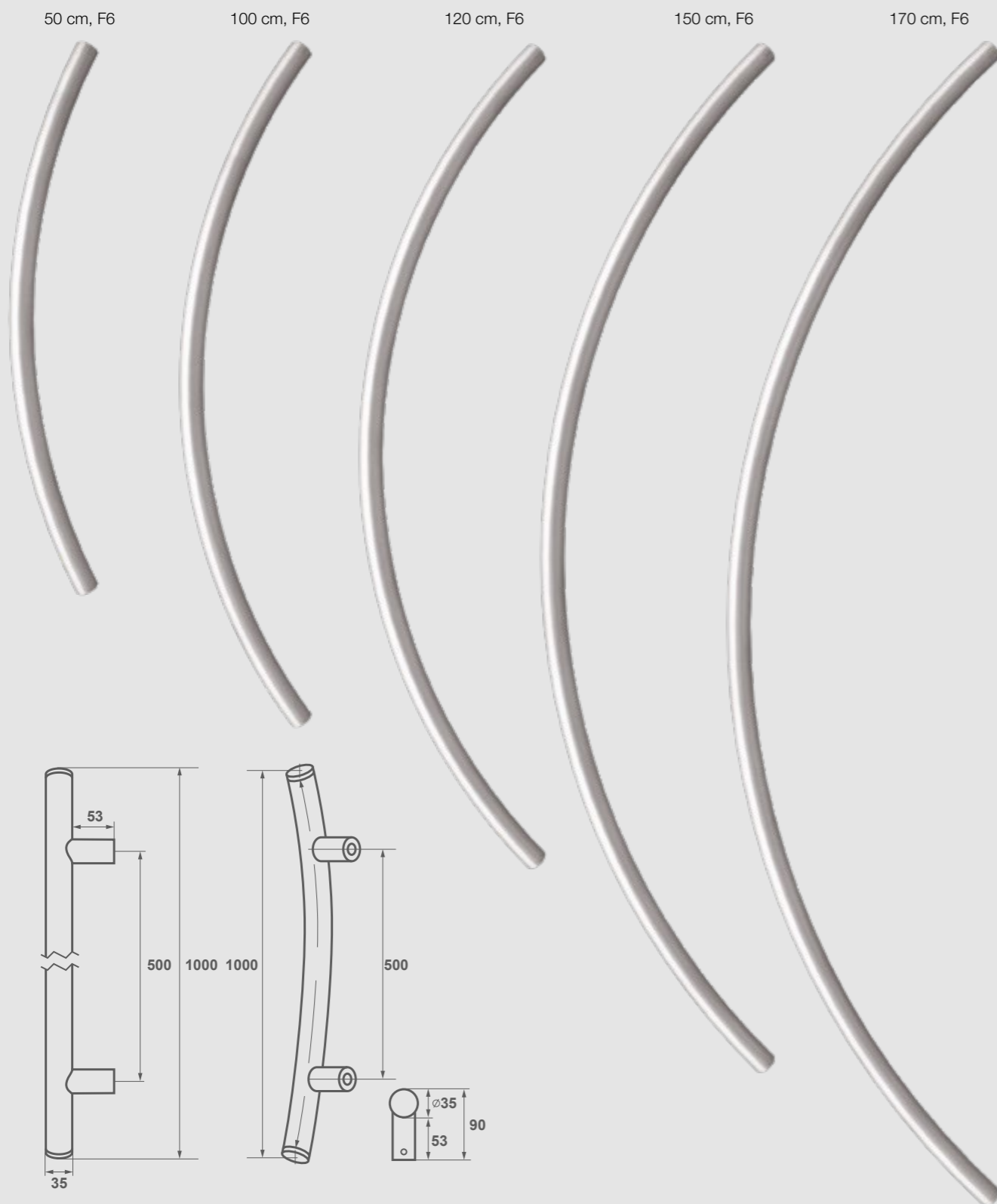
Made in Poland



Additional information:

1. Installation spacing depends on pull handle dimensions. The spacing shown in the drawing applies to 100 cm long pull handles. Other dimensions specified in the table above
2. **F3 golden-coloured** Montreal pull handles available on request in sets of **50 pcs.** without additional charge
3. Thermal insulation mounting – for an additional surcharge

MONTREAL BENT



For technical drawings presenting other length values, see pages 133-134.

Available colours:

F1 Silver F4 Old Gold F6 Inox F8 Black F9 Titanium



Suitable for wooden, PVC and aluminium doors (using dedicated mounting kits).
Available in one-sided and two-sided versions and with electro-button (wired or wireless).

Installation methods:

- wood screws
- straight-through mounting method

Additional mounting elements:

Wood screws

- For aluminium doors with rivet nut*
- For PVC doors with turbo screw*

Straight-through mounting method

- With termo* function

* for an additional surcharge



Length:

80, 100, 120, 150, 170 cm



Mounting post spacing:

Length (cm)	80	100	120	150	170
Spacing (cm)	50	50	80	99,8	99,8
Bending radius (cm)	120	120	120	150	170



Finish:

Ground



Dedicated to:

External and staircase doors



Product:

Made in Poland

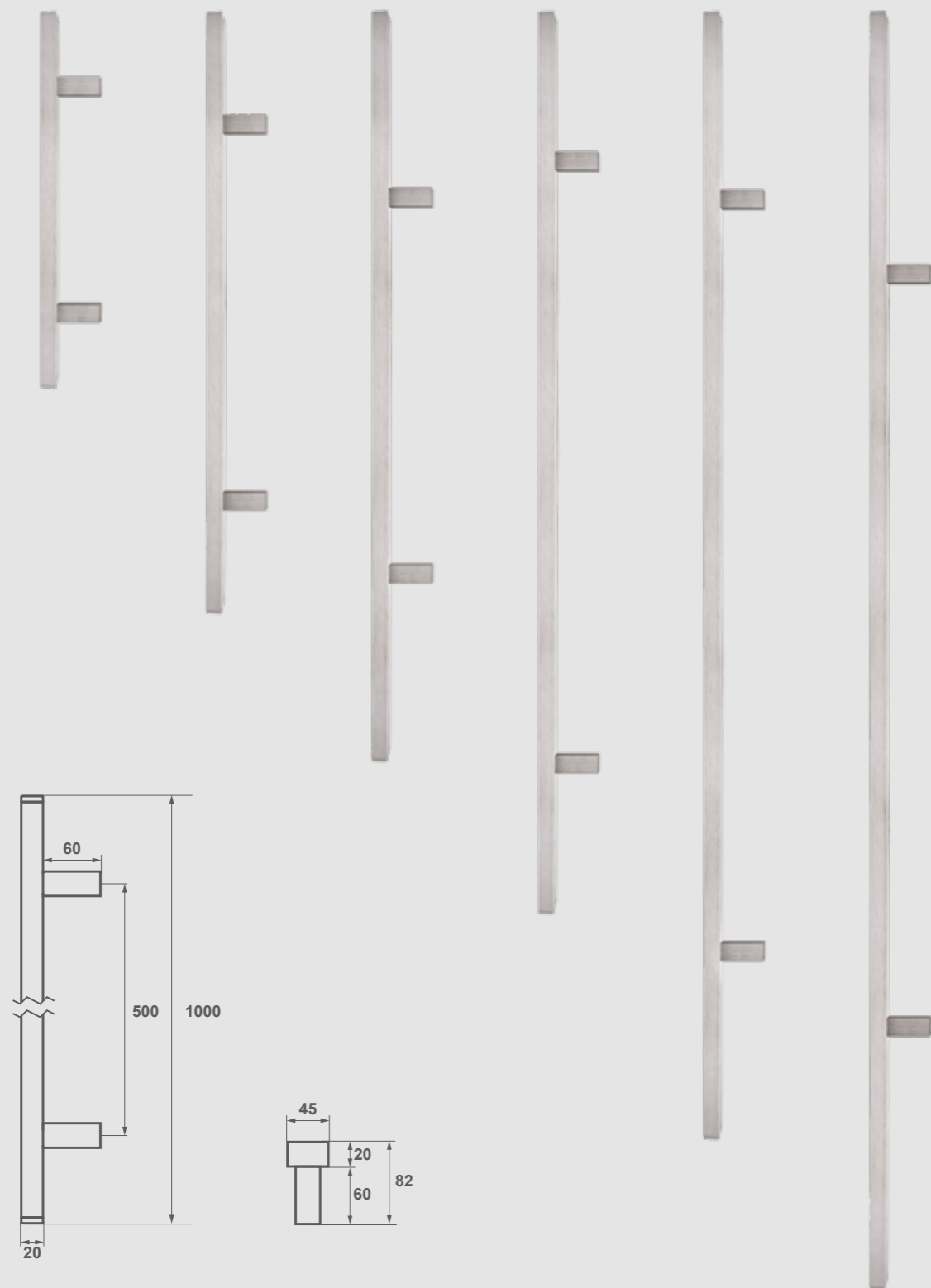


Additional information:

1. Installation spacing depends on pull handle dimensions. The spacing shown in the drawing applies to 100 cm long pull handles. Other dimensions specified in the table above.
2. The bending radius can be customised, however, its minimum size is 120 cm, available on request in sets of **50 pcs.** without additional charge
3. **F3 golden-coloured** Montreal pull handles available on request in sets of **50 pcs.** without additional charge
4. Thermal insulation mounting – for an additional surcharge

AMSTERDAM STRAIGHT

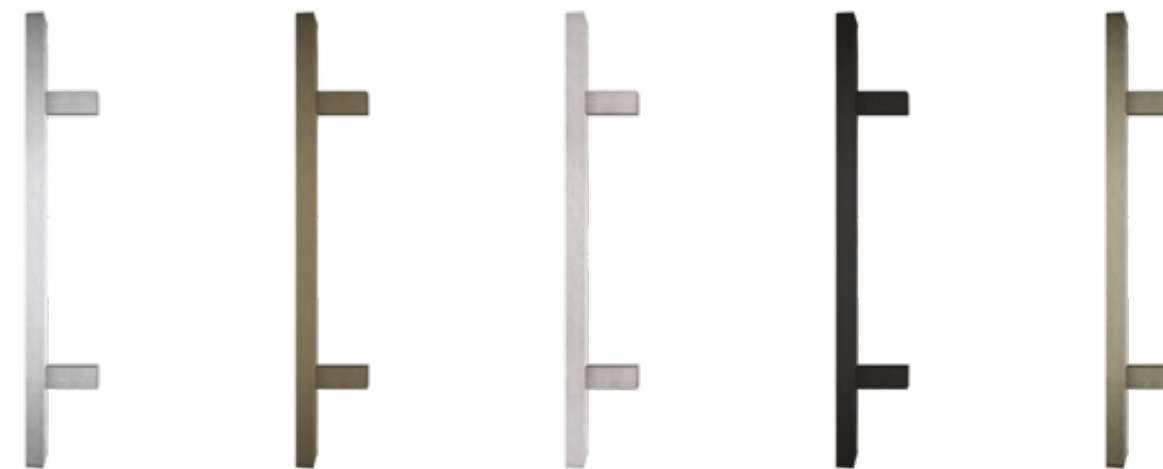
50 cm, F6 80 cm, F6 100 cm, F6 120 cm, F6 150 cm, F6 170 cm, F6



For technical drawings presenting other length values, see page 134.

Available colours:

F1 Silver F4 Old Gold F6 Inox F8 Black F9 Titanium



Suitable for wooden, PVC and aluminium doors (using dedicated mounting kits).
Available in one-sided and two-sided versions and with electro-button (wired or wireless).

Installation methods:

- wood screws
- straight-through mounting method



Additional mounting elements:

Wood screws

- For aluminium doors with rivet nut*
- For PVC doors with turbo screw*

Straight-through mounting method

- With termo* function

* for an additional surcharge

Waves pull handle



Wireless solution possible*

* for an additional surcharge



Length:

50, 80, 100, 120, 150, 170 cm



Mounting post spacing:

Length (cm)	50	80	100	120	150	170
Spacing (cm)	30	50	50	80	99,8	99,8



Finish:

Ground



Dedicated to:

External and staircase doors



Product:

Made in Poland

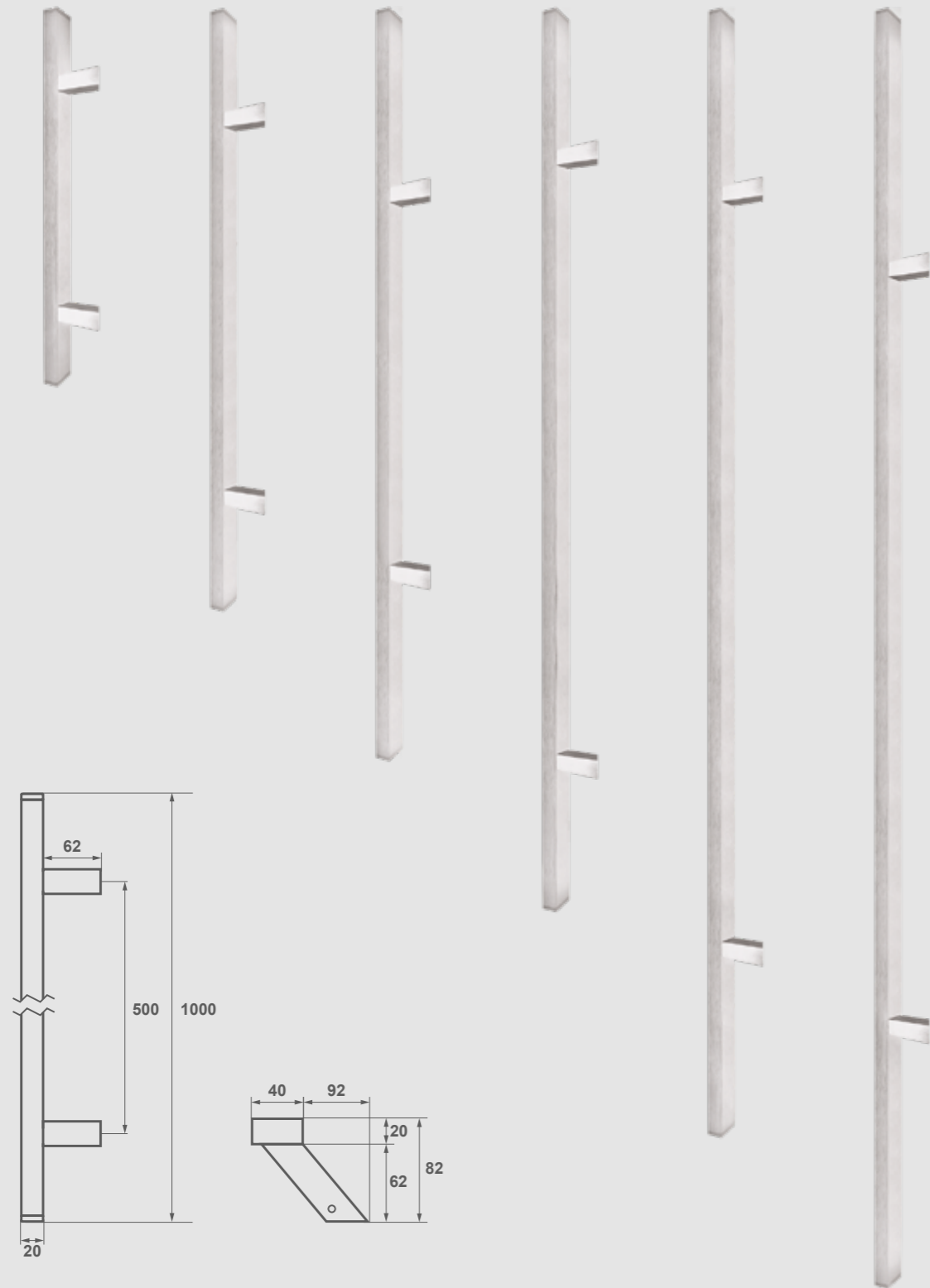


Additional information:

1. Installation spacing depends on pull handle dimensions. The spacing shown in the drawing applies to 100 cm long pull handles. Other dimensions specified in the table above
2. **F3 golden-coloured** door handles available on request in sets of **50 pcs.** without additional charge
3. Thermal insulation mounting – for an additional surcharge

AMSTERDAM SKEW

50 cm, F6 80 cm, F6 100 cm, F6 120 cm, F6 150 cm, F6 170 cm, F6



For technical drawings presenting other length values, see page 134.

Available colours:

F1 Silver F4 Old Gold F6 Inox F8 Black F9 Titanium



Suitable for wooden, PVC and aluminium doors (using dedicated mounting kits).
Available in one-sided and two-sided versions and with electro-button (wired or wireless).

Installation methods:

- wood screws
- straight-through mounting method



Additional mounting elements:

Wood screws

- For aluminium doors with rivet nut*
- For PVC doors with turbo screw*

Straight-through mounting method

- With termo* function

* for an additional surcharge

Waves pull handle



Wireless solution possible*

* for an additional surcharge



Length:

50, 80, 100, 120, 150, 170 cm



Mounting post spacing:

Length (cm)	50	80	100	120	150	170
Spacing (cm)	30	50	50	80	99,8	99,8



Finish:

Ground



Dedicated to:

External and staircase doors



Product:

Made in Poland



Additional information:

1. Installation spacing depends on pull handle dimensions. The spacing shown in the drawing applies to 100 cm long pull handles. Other dimensions specified in the table above
2. **F3 golden-coloured** door handles available on request in sets of **50 pcs.** without additional charge
3. Thermal insulation mounting – for an additional surcharge

PULL HANDLE DEDICATED FITTINGS

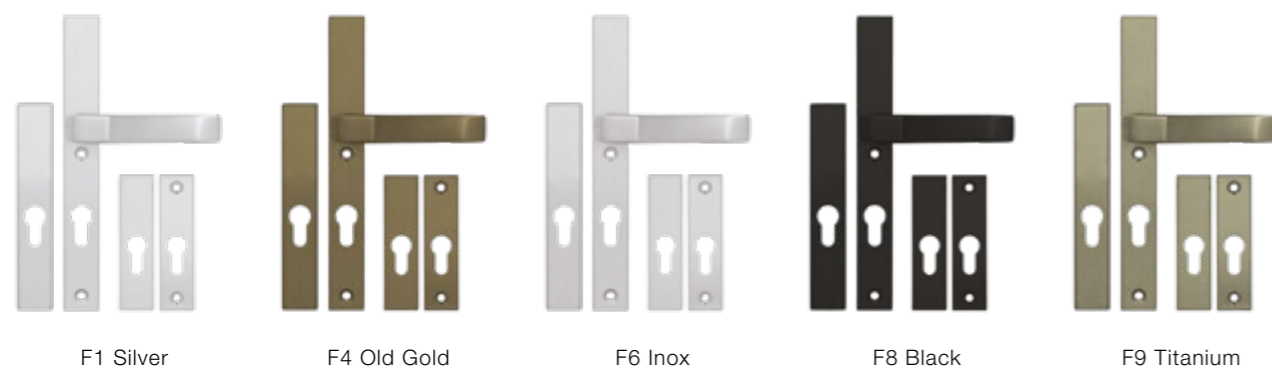
SOLO – full range of pull handle fittings

Solo Slim Plus

Basic safety class



Long and narrow rosette for external doors, installed with narrow pushers.

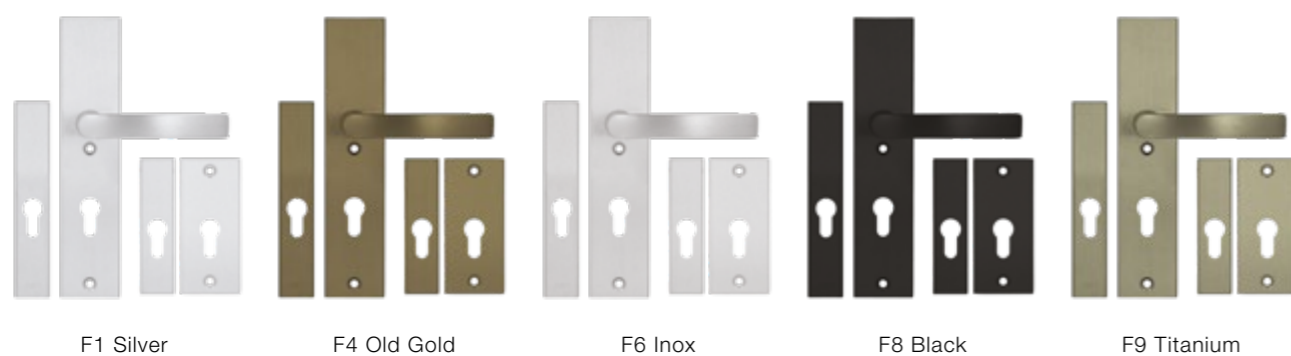


Solo Gaja++

Basic safety class



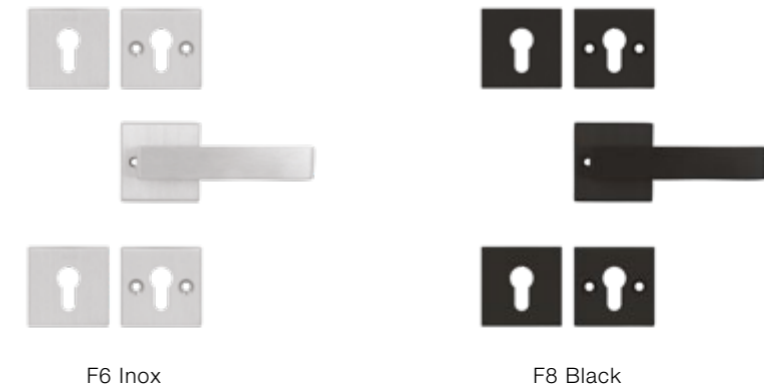
Long rosette for external doors, installed with pushers.
Door handle on the inside.



NEW, IMPROVED VERSION

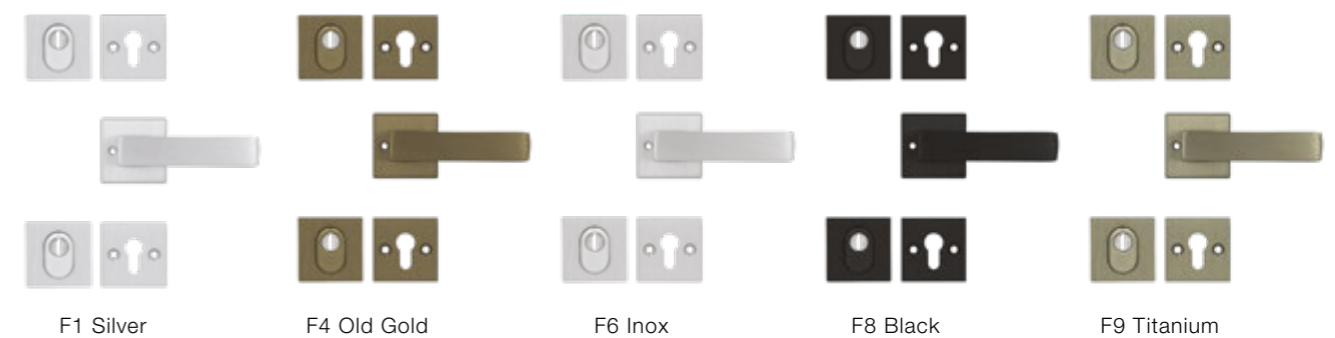
Solo Ceres Click

Basic safety class



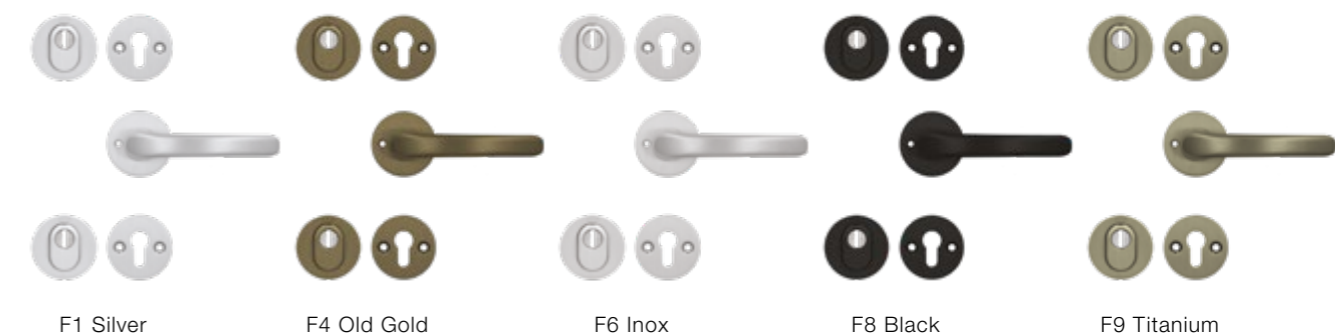
Solo Mars Flex Click

Safety class 3 with cylinder protection



Solo Diana Flex Premium

Safety class 3 with cylinder protection



PULL HANDLE DEDICATED FITTINGS

SOLO – full range of pull handle fittings

Solo Solid Flex

Spacing :
72, 92 mm



F1 Silver



F4 Old Gold



F6 Inox



F8 Black



F9 Titanium

Solo Diva

Safety class 3

Spacing: 72, 92 mm



F6 Inox

Solo Royal Flex

Safety class 3 with cylinder protection

Spacing: 72, 92 mm



F6 Inox

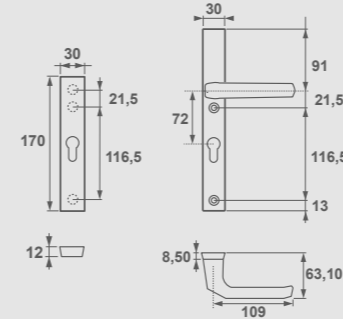


F8 Black

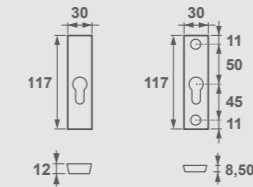
TECHNICAL DRAWINGS

Pull handle dedicated fittings

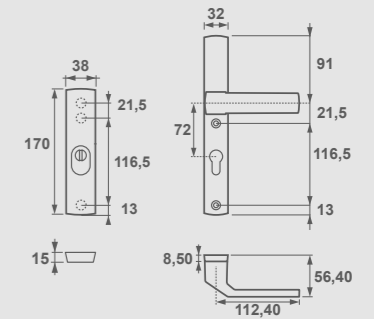
Solo Slim Plus
handle+short escutcheon plate



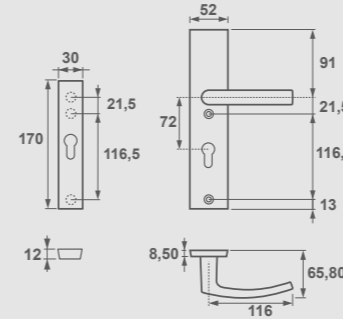
Solo Slim Plus
rosette



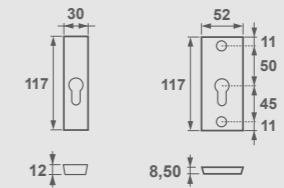
Solo Solid Flex
handle+short escutcheon plate



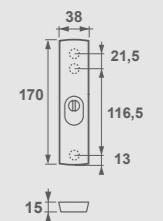
Solo Gaja++
handle+short escutcheon plate



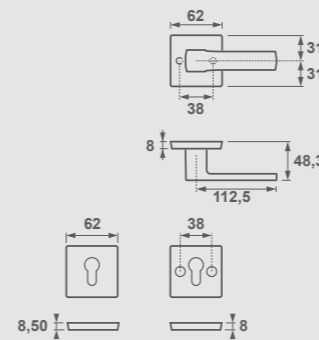
Solo Gaja++
rosette



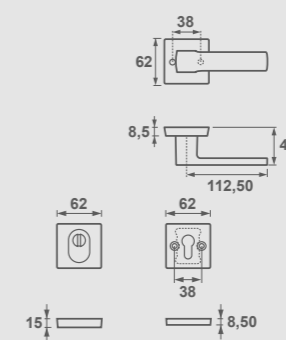
Solo Solid Flex
short escutcheon plate
for two-sided pull handles



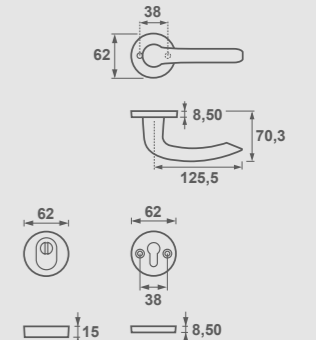
Solo Ceres Click



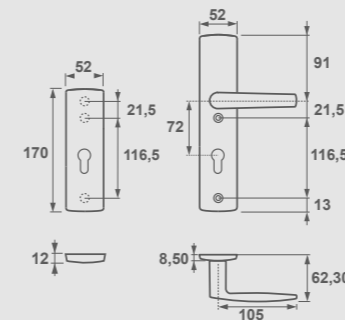
Solo Mars Flex Click



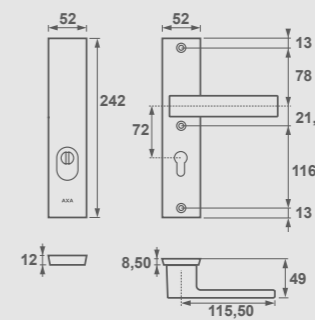
Solo Diana Flex Premium



Solo Diva
handle+short escutcheon plate



Solo Royal Flex
handle+long escutcheon plate



OTHER PRODUCTS



photo: AXA©.

06

Digital door peephole

DDS 1 / DDS 2 model

- ▶ Operated with one button
- ▶ Trouble-free and fast installation
- ▶ Fits standard peephole openings (14 mm)
- ▶ Large 3.2" LCD screen presents clear, bright and colourful image
- ▶ Can replace your existing peephole without any additional work
- ▶ You can observe your surroundings behind the door without revealing your presence
- ▶ Can be installed in 38-110 mm thick doors
- ▶ Operates for 10-20 seconds after start-up (settings) DDS 2 (DDS: 1-10 sec.)
- ▶ Power supply: 4 AAA batteries

DDS 2 model

- ▶ Up to 50 images can be recorded from the camera mounted in the peephole
- ▶ Date- and time-stamp in photos
- ▶ Automatically takes a picture of persons ringing the doorbell
- ▶ Up to 8GB memory card can be added
- ▶ Built-in ringtones

AXA DDS 1

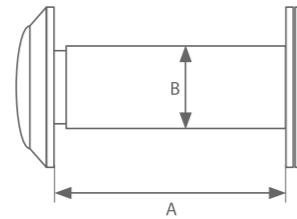


AXA DDS 2



Door peephole

Door peepholes	A [mm]	B [mm]
Ekono	35-60	14
Premium Black	35-60	14
Premium Inox	35-55	14



Ekono



Premium Black

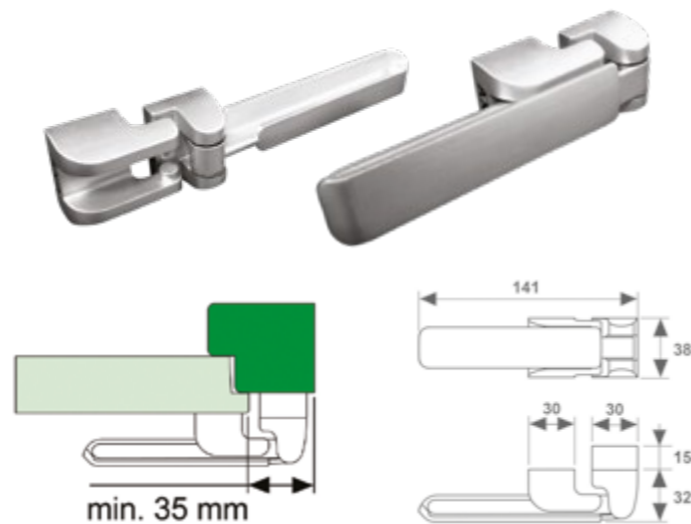


Premium Inox

Rigid chain

Why choose the AXA rigid chain?

- ▶ Rigid chain designed to prevent doors from opening fully; only for doors opening inwards
- ▶ Prevents sudden door opening and possible acts of intrusion
- ▶ Its small size allows for minimal door opening
Perfect solution to ventilate your home
- ▶ Easy to install
- ▶ Concealed screws and bolts

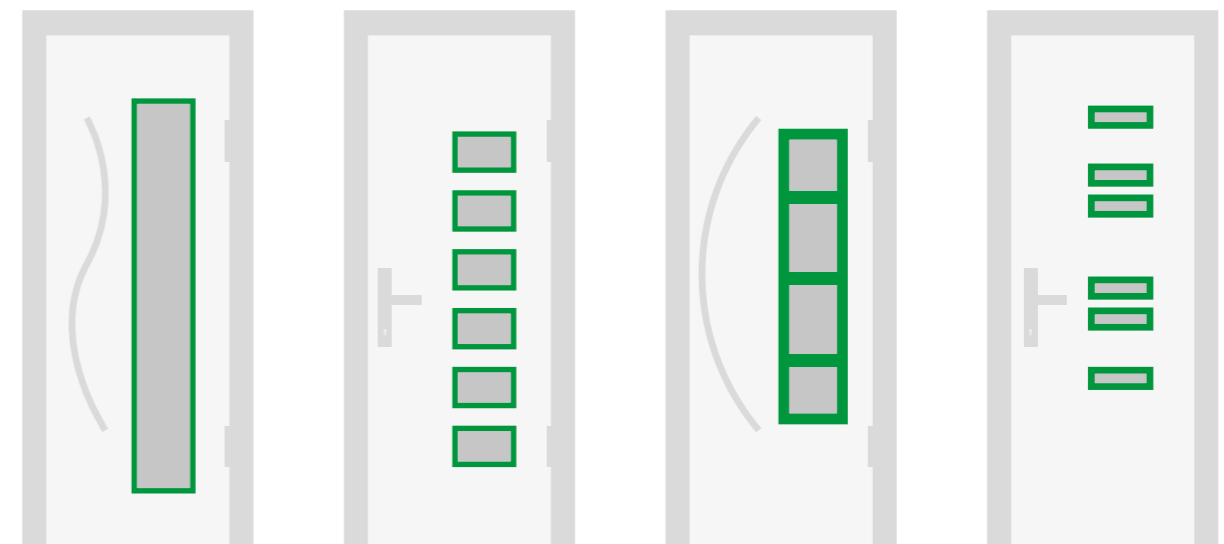


Glazing frames

Decorative frames for glazing in fitting colour versions





Option to design a frame of any size and shape* to highlight the door glazing appearance.

*Minimum quantities to be arranged with the sales department.



Master Key system

Mechanical access control to facilities and rooms

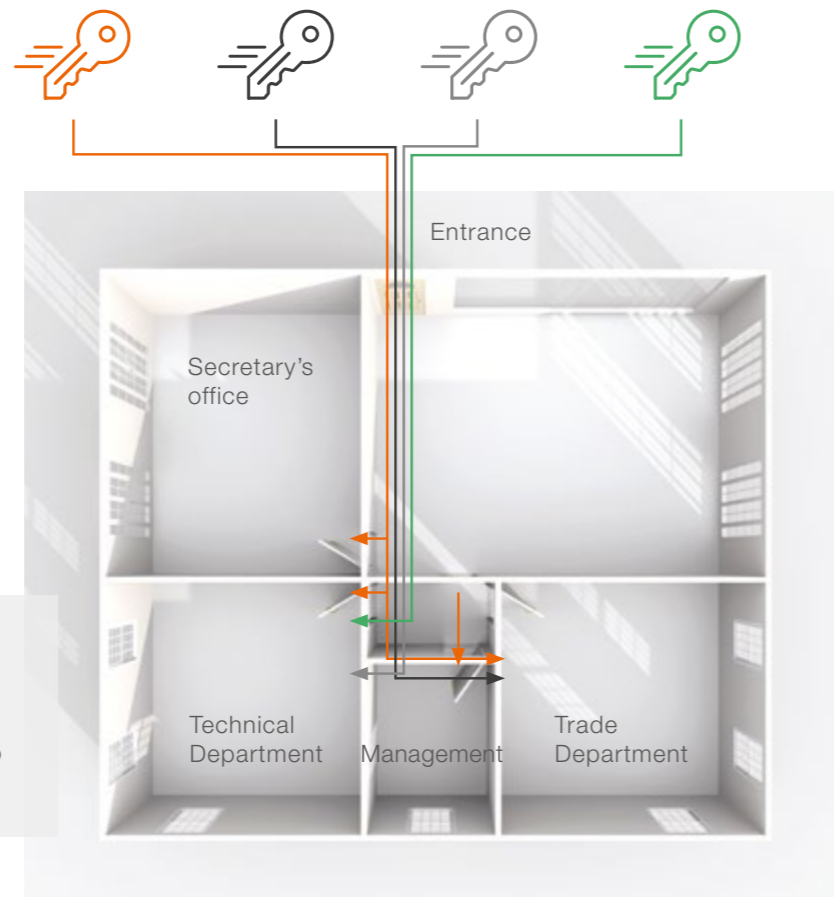
Group keys	Room name	Entrance	Secretary's office	Management	Trade Department	Technical Department
	Director	✓	✓	✓	✓	✓
	Trade Department Manager	✓			✓	
	Technical Department Manager	✓				✓
	Assistant	✓	✓			
Coding		001	002	003	004	005
Door marking		20	21	22	23	24
Colour		1	1	1	1	1
Enclosure / keys		1 / 1	1 / 1	1 / 1	1 / 1	1 / 1
Cylinder type		1400	1400	1400	1400	1400
Length A / B		30 / 40	30 / 40	30 / 40	30 / 40	30 / 40

Master Key system advantages include:

- ▶ mechanical access control to facilities and rooms;
- ▶ ensuring safety in emergency situations requiring rapid access to premises (e.g. in the event of fire);
- ▶ convenience – each person uses only one key;
- ▶ ease and full control in administering the keys;
- ▶ flexibility in creating any system structure.

This particular Master Key system solution example includes **4 keys**.

Unless the facility were equipped with the system, **11 keys** would be necessary to ensure required traffic.



Additional accessories

Product	6 cm screws	8 cm screws	9 cm screws	10 cm screws	handle+handle pin, length: 110, 130, 165 mm	handle+knob pin, length 75, 90, 110, 120 mm	30 mm sleeve
No. of pieces	complete set – 5 pieces	complete set – 5 pieces	complete set – 5 pieces	complete set – 5 pieces	1 piece	1 piece	1 piece

Lock cylinders

Set includes:

- ▶ two-sided cylinder + cylinder with knob,
- ▶ 5 keys,
- ▶ security card (class C),
- ▶ 2 mounting screws.

Available colours:



Appearance of cylinders mounted in Prestige rosettes:



* Cylinders with knobs in F8 black colour version – additional charge. Not subject to discount.

Hinge guards

- ▶ Hinge guards are made of aluminium.
- ▶ Anodised – available in six colour variants: F1 Silver, F3 Golden, F4 Old Gold, F6 Inox, F8 Black, F9 Titanium. Additionally available with chromium-plated finish.
- ▶ Diameter – 20 mm.



* package contains 12 pieces (and multiples).

Door stops

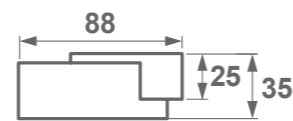
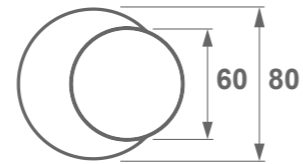
DESIGNER:
Marek Czyż

DOBRY
WZÓR

*GOOD PATTERN

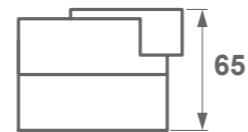
AXA door stops dedicated to heavy doors.

- ▶ Dedicated to heavy external and internal doors.
- ▶ Additional modules facilitate height adjustment to the bottom door edge – 15 and 30 mm.
- ▶ Solid body.
- ▶ Available in colour versions: F1 Silver, F4 Old Gold, F6 Inox, F8 Black, F9 Titanium.

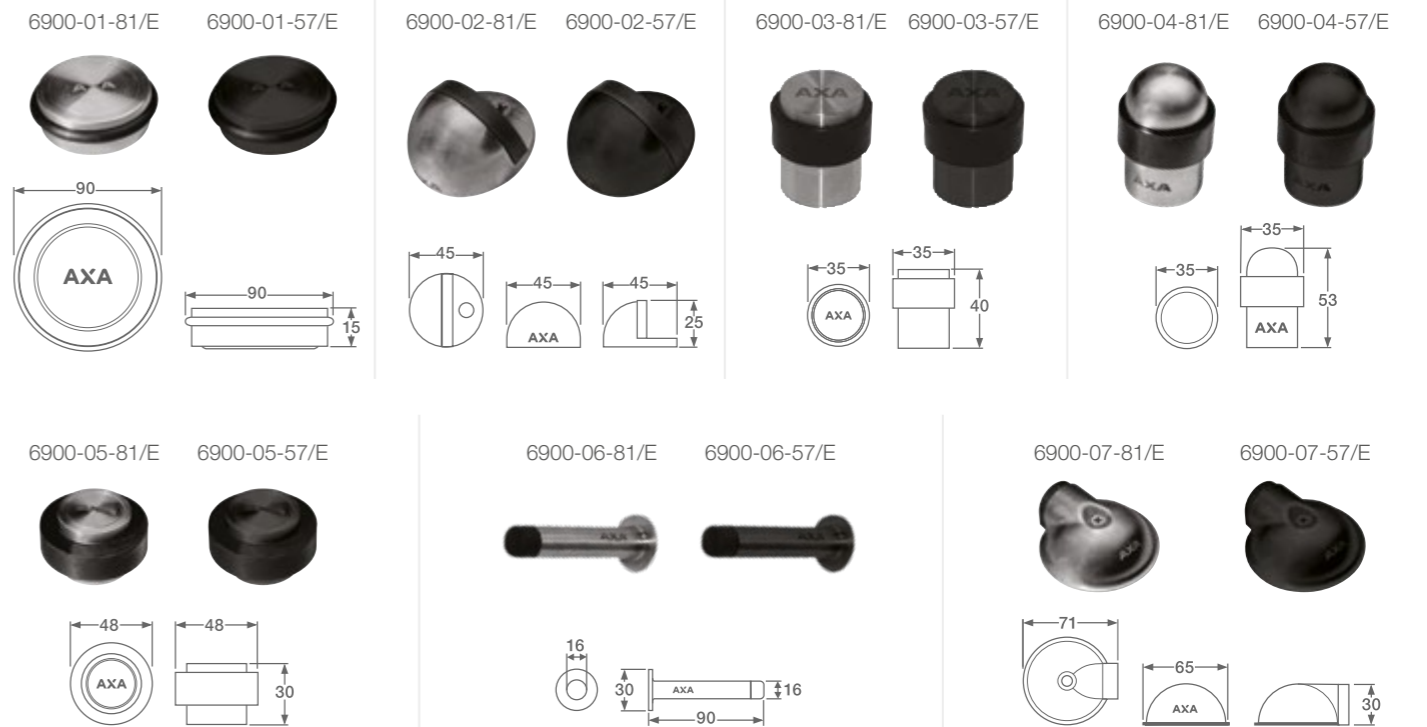


Door stop with 15 mm module

Door stop with 30 mm module



Stainless steel door stops



Concealed hinge

- ▶ Narrow design suitable for thin doors
- ▶ Can be used on left and right handed doors
- ▶ Same sized milled cut-outs in door and frame
- ▶ Available in black and silver

Black hinge 80KG

Silver hinge 80KG

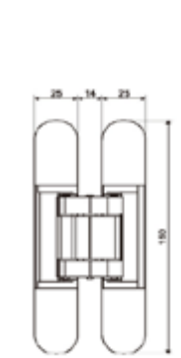


Concealed hinge adjustable in 3D, available in two versions:

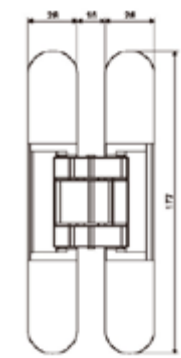
- ▶ 40 KG – hinge suitable for internal doors with a minimum thickness of 35mm. 2 hinges can be used with doors weighing up to 40kg and width 850mm. The opening angle is 180° (not including the skirting).
- ▶ 80 KG – hinge suitable for internal doors with minimum thickness of 40mm. 2 hinges can be used with doors up to 80 kg and 1000 mm wide. The opening angle is 180° (not including the skirting).

Technical specifications:

19101549	40KG	Silver	19101849	80KG	Silver
19101556	40KG	Black	19101856	80KG	Black



▲ Hinge 40 KG



▲ Hinge 80 KG

Door closers



photo: model 2400.

	AS 05 7505-03-49	AS 06 7506-24-49	AS 07 7507-24-49	1110T	1130 BT	1130 B	2400T
CE mark	●	●	●	●	●	●	●
constant closing force as per EN	3	3	3	3	3	3	3
closing force	2-4	2-4	2-4	3	2-4	2-6*	2-4
maximum door leaf width	950 mm	1100 mm	1100 mm	950 mm	1100 mm	1400 mm	1100 mm
maximum door leaf weight	60 kg	80 kg	80 kg	60 kg	80 kg	120 kg	80 kg
maximum opening angle	180°	105°	180°	180°	180°	180°	120°
closing speed adjustment	●	●	●	●	●	●	●
end-closing pressure adjustment	●	●	●	●	●	●	●
opening damping adjustment	○	○	●	○	●	●	●
can be used with fire doors	○	●	●	○	●	●	
interlock (not available in fire doors)	○	○	○	○	○	○	○
temperature compensation		●	●	●	●	●	●
with arm	●	●	●			●	
with rail				●	●		
parallel or frame mounting kit		●	●			●	
	15.000	50.000	50.000	50.000	50.000	50.000	50.000
colour	silver	silver	silver	silver	silver	silver	silver
warranty	10 years	10 years	10 years	10 years	10 years	10 years	10 years
classification	483113	382-4113	482-4113	483113	482-4113	482-6113	382-4113

Legend: ● available ○ option

Door closers are intelligent, integrated solutions that combine safety, convenience, minimalist design and superior quality.

The product range facilitates unrestricted designing of doors as well as escape, smoke removal and fire protection systems.



AS 05



AS 06



AS 07



1130 B



1110 T



1130 BT



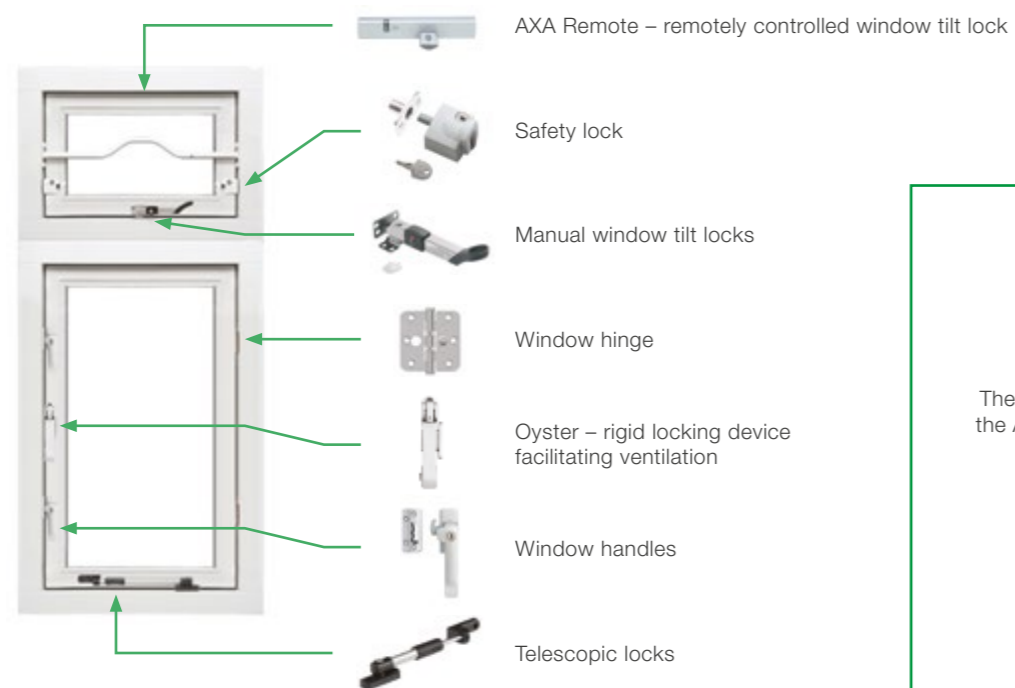
Complete AXA NL door and window fitting range

Security product range and wide range of supplementary accessories. Everything in one place, from one manufacturer.

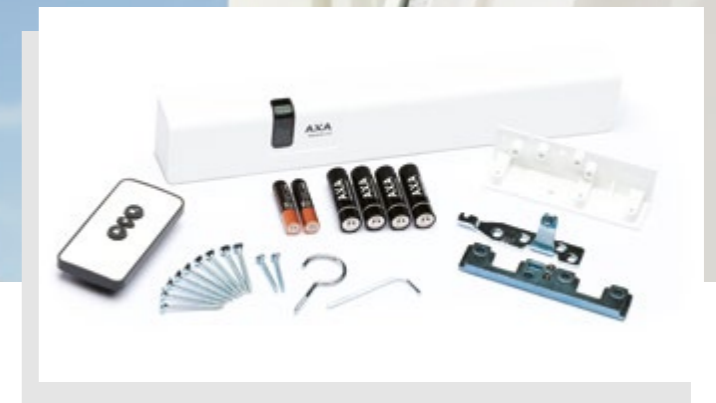
Door fittings



Window fittings



The entire range available on the AXA Stenman NL website



AXA Remote 2.0

Remotely controlled window tilt lock

- ▶ A complete system comprises: remotely controlled window tilt lock, a remote control to operate the lock and set of power supply batteries.
- ▶ Remote 2.0 is suitable for outward and inward opening windows as well as for all roof windows. Installation kits customised to window types.

Indicate your window type when ordering.



- installation time up to 15 min.
- wireless control
- room ventilation option
- protection against children's tampering
- automatic lock
- fasteners included

Surface-mounted Anti-panic System

CISA surface-mounted anti-panic systems are an ideal solution for high traffic intensity buildings such as: cinemas, theatres, office buildings, halls and sports facilities: numerous different public utility buildings that require security systems to protect all their users.

The technical solutions and materials adopted guarantee compliance with applicable legal requirements. Thanks to this, CISA has been rewarded with marks and certificates including:

- ▶ CE mark as per Directive 89/106/EEC, granted by ICIM.
- ▶ Voluntary product certification by the independent certification body (ICIM) in conformity with the same UNI EN 1125 standard for the FAST Push anti-panic handle and UNI EN 179 for the FAST Push anti-panic bar.



Fast Push



- ▶ Painted aluminium enclosure
- ▶ Chrome-plated aluminium alloy bolt
- ▶ Surprisingly easy and fast installation
- ▶ Fully modular system
- ▶ Flexible connecting cable for coupling the secondary lock with the common entrance mechanism using quick-release couplings

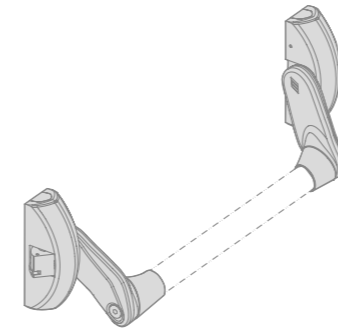
Fast Touch



- ▶ Adjustable additional locks fastened with quick-release couplings
- ▶ Wide range of mounting accessories
- ▶ Interchangeability of accessories from both versions – Touch i Push
- ▶ Mounting plates for additional locks

Fast Push

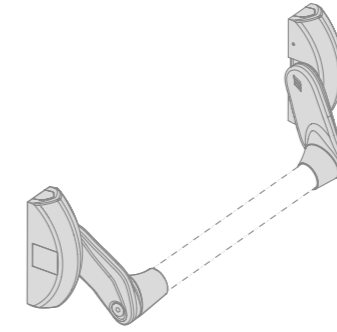
SINGLE-POINT ANTI-PANIC HANDLE



- Standard set:**
- ▶ Catch, art. no. 1 07072 20
- On request:**
- ▶ Catch, art. no. 1 07072 21
- External fittings:**
- ▶ art. no. 1 07078 38; 1 07078 68/69

MODULAR VERSION

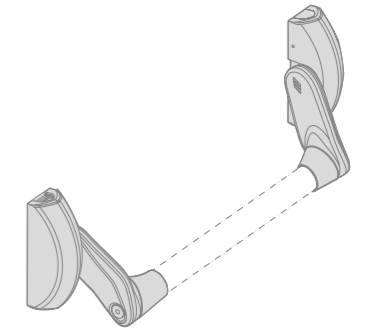
Three-point handle with lateral bolt deactivation option



- Standard set:**
- ▶ Catch, art. no. 1 07072 20
- On request:**
- ▶ Pair of vertical bolts, art. no. 1 07063 61
 - ▶ Pair of lateral bolts, art. no. 1 07063 51
 - ▶ Catch, art. no. 1 07072 21
- External fittings:**
- ▶ art. no. 1 07078 38; 1 07078 68/69

MODULAR VERSION WITHOUT LATERAL BOLT

To be used with additional bolts

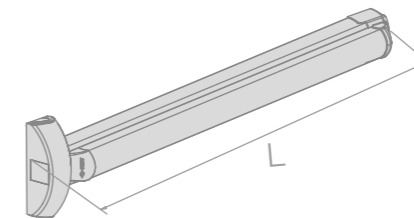


- On request:**
- ▶ Pair of vertical bolts, art. no. 1 07063 61
 - ▶ Pair of lateral bolts, art. no. 1 07063 51
 - ▶ Catch, art. no. 1 07072 21
- External fittings:**
- ▶ art. no. 1 07078 38; 1 07078 68/69

Fast Touch

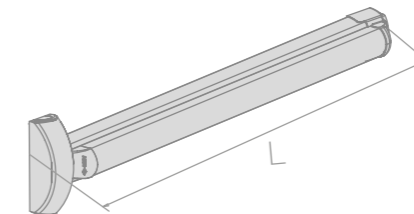
MODULAR VERSION

Three-point handle with lateral bolt deactivation option



MODULAR VERSION WITHOUT LATERAL BOLT

To be used with additional bolts



- Standard set:**
- ▶ Catch, art. no. 1 07072 20
- On request:**
- ▶ Pair of vertical bolts, art. no. 1 07063 61
 - ▶ Pair of lateral bolts, art. no. 1 07063 51
 - ▶ Catch, art. no. 1 07072 21

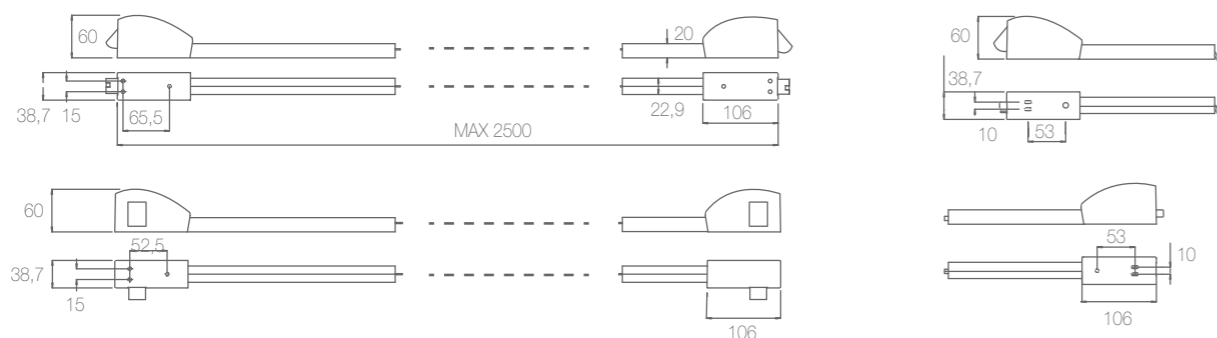
- External fittings:**
- ▶ art. no. 1 07078 38; 1 07078 68/69

- On request:**
- ▶ Pair of vertical bolts, art. no. 1 07063 61
 - ▶ Pair of lateral bolts, art. no. 1 07063 51
 - ▶ Catch, art. no. 1 07072 21

- External fittings:**
- ▶ art. no. 1 07078 38; 1 07078 68/69

Name	Type	No. of pieces	Size	L – Length [mm]	Weight [kg]
Fast Push					
Single-point handle	1 59001-10	1	10		2,1
Three-point handle with lateral bolt deactivation option	1 59011-10	1	10	length 900 or 1200 mm, depending on the bar selected	2,2
Modular version without lateral bolt, to be used with additional bolts	1 59016-10	1	10		2
Fast Touch					
Three-point handle with lateral bolt deactivation option	1 59811-11	1	11	840	3,4
	1 59811-10	1	10	1200	3
Modular version without lateral bolt, to be used with bolts	1 59816-11	1	11	840	3
	1 59816-10	1	10	1200	3,5

Surface-mounted Anti-panic System



Standard set:

- ▶ Catches, art. no. 1 07072 20
- ▶ 2 flexible steel cables
- ▶ 2 cable guards
- ▶ 2 connecting plates
- ▶ 2 cable routing hooks

Standard set:

- ▶ Painted aluminium enclosure
- ▶ Chrome-plated bolt made of aluminium alloy

Finish:

- ▶ Black – finish 44

On request:

- ▶ Catch, art. no. 1 07072 21

Customised to product types:

59011, 59016, 59811, 59816

Standard set:

- ▶ Upper catch, art. no. 1 07072 20
- ▶ Lower catch, art. no. 1 07072 27
- ▶ 2 flexible steel cables
- ▶ 2 cable guards
- ▶ 2 connecting plates
- ▶ 2 cable routing hooks

On request:

- ▶ Catch, art. no. 1 07072 21

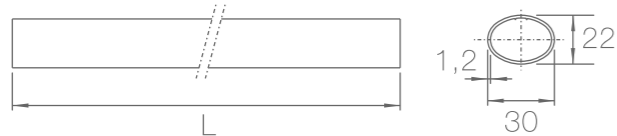
Customised to product types:

59011, 59016, 59811, 59816

Name	Type
Pair of lateral bolts	1 07063-51
Pair of vertical bolts	1 07063-61

Bar

Steel horizontal bar (red)



Finish on request:

- ▶ Yellow – finish 42
- ▶ Green – finish 43
- ▶ Black – finish 44
- ▶ White – finish 45
- ▶ Grey – finish 97

Name	Type	L – length [mm]
Steel horizontal bar (red)	1 07007-13	900
Steel horizontal bar (red)	1 07007-14	1200

External fittings



Handle with reversed cylinder
1 07078 38

External fitting with cylinder above the grip.



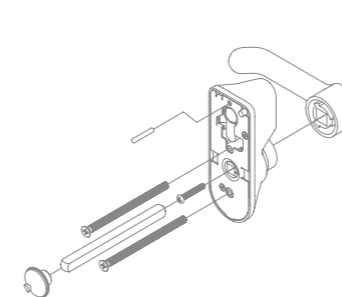
Handle
1 07078 68

Extended handle for convenience.



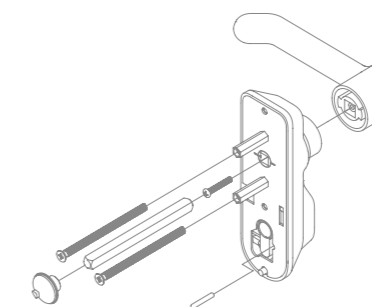
Knob
1 07078 69

Movable knob facilitates limited-space installation.

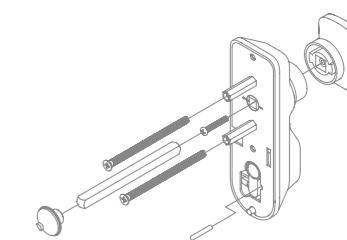


Technical features:

- ▶ Black handle with cylinder
- ▶ Emergency opening with a key activating the handle. Removing the key deactivates the handle



- ▶ Safe handle shape
- ▶ High use frequency (up to 200.000 cycles).
- ▶ Handle positioning pin
- ▶ Easy integration into Master Key system



Optional finishes:

- ▶ Stainless steel – finish B9
- ▶ White – finish 45
- ▶ Grey – finish 97



Catch

Catch for wooden and PVC doors.

Adjustment:

- ▶ Can be mounted on profiles with overlapping segments – range from 14 to 24 mm

Standard equipment:

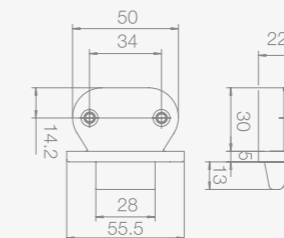
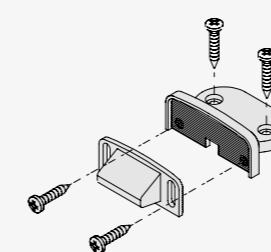
- ▶ Mounting screws

Finish:

- ▶ Standard: Black

Finish:

- ▶ White – finish 45
- ▶ Gray – finish 97



Name	Type	Length
Catch	1 07072 33 0	0,080

ADDITIONAL INFORMATION



photo: AXA©.

Technical drawings ◀

About us ◀

General terms and conditions of sales
for contracts concluded with entrepreneurs ◀

Door fitting warranty ◀

About us

It is said that a man should build a house, plant a tree and beget a son. It seems, however, that especially nowadays, this is only the beginning of the responsibilities and privileges that fall on the head of the family. Protecting material possessions and ensuring safety of the loved ones have become a priority.

Over the years, we gather and collect souvenirs, family treasures and trinkets belonging to our ancestors; we like to surround ourselves with nice, often very expensive, items. But what remains the same and constantly invaluable is the family that lives in this house or flat. It makes a home more than just a roof over one's head, four corners and a piece of floor. We want to protect both the economic and intangible plane, with as little time and effort as possible.

Peace of mind and security are among the greatest privileges and luxuries a person can have today. For years, AXA Stenman has been meeting these expectations, by offering innovative, state-of-the-art and, above all, effective solutions. The products undergo numerous tests, meet the European standard requirements and, at the same time, feature modern design in line with current trends.

FLEX, an AXA PATENTED SOLUTION, is not only a spring-loaded lock cylinder protection system that automatically adjusts to the cylinder length, but also a steel safeguard preventing the cylinder against compromising by drilling or being ripped out of the structure. Additionally, the time savings ensured by FLEX, due to its quick and easy installation, no spare parts necessary and no replacement of existing cylinders, cannot be overestimated.

Our TECHNOLOGICALLY MOST ADVANCED products, i.e. the PREMIUM line, are designed for heavy traffic intensity areas. Due to the solutions applied, they are a perfect product for the construction industry and architects. These fittings come with a significantly thicker and stronger spring located in the handle, are suitable for both left- and right-sided doors up to 110 mm thick, and are equipped with the above-mentioned FLEX system.

We usually start appreciating security when we return to a house devastated by burglars. Numerous belongings are irretrievably lost, other cannot be bought back due to their sentimental value.

photo: AXA©.



The mere thought that a member of the household might be home during a burglary makes us break out in a cold sweat.

Therefore, ask yourself today:

” Can I afford NOT to have a door with AXA fittings? ”

With AXA products, you purchase quality, comfort and security.
AXA Home Security – continuously since 1902.

AXA Stenman

is the world leader in the field of construction fittings and bicycle safeguards. The Polish branch headquarters are located on the border of Silesia and Lesser Poland, in the picturesque region of Jura Krakowsko-Częstochowska. The company boasts a long tradition going back to 1902; its headquarters are located in Veenendaal, the Netherlands, with manufacturing facilities in the Netherlands, France and Poland. Dynamic growth and relentless drive led Allegion, plc, the leading global provider of safety products and solutions, to acquire AXA Stenman in 2015.

AXA Stenman products are sold throughout Europe to retail distributors, door and window manufacturers and property developers. Based on our Clients' needs and experiences, we constantly develop solutions to offer a highest-quality AXA Stenman's product range.

Over 25 years of experience of AXA Stenman on the Polish market, puts us in the position of a leader in the field of external door fittings. Such factors as innovation, flexibility, reliability and highest quality of products manufactured

by AXA result in the fact that the brand is perceived as powerful and reliable.

AXA's leading position in the anti-burglary escutcheon plate segment combined with a wide supplementary offering (cylinders, peepholes, hinge guards, etc.) make AXA not only a manufacturer of door handles, but also a supplier who recognises the market needs, caters for customers' tastes and presents a unique range of fitting sets for external doors, in one of 6 basic colour versions.

Joining the Allegion brand network has also empowered the company to complement its assortment with a range of products popular in the construction investment project field, e.g. door closers and anti-panic bars.

AXA is not only synonymous to safety and protection against burglary. It also stands for our product use safety. An extremely very durable (anodised) coating of our products protecting fittings against weather conditions, AXA product users enjoy numerous years of trouble-free door handle operation.

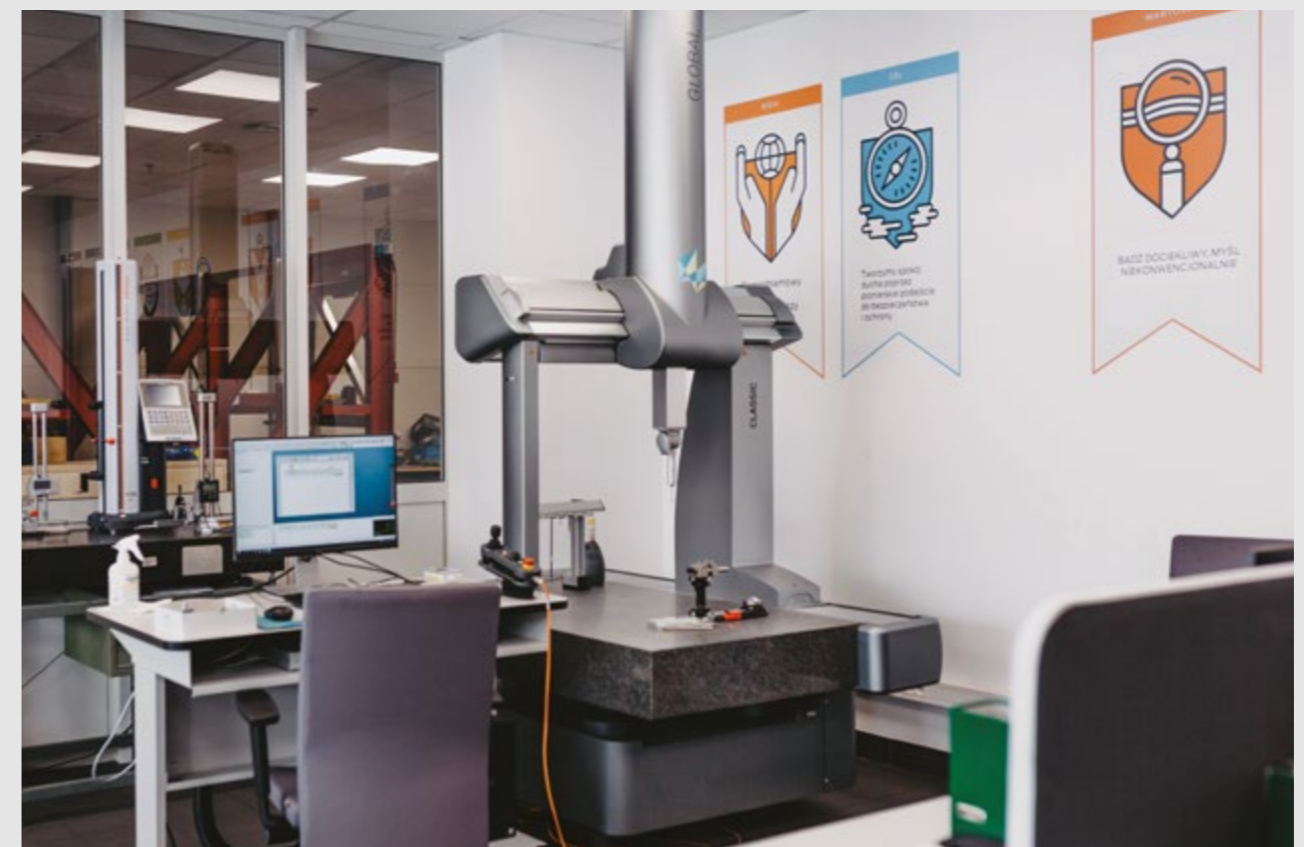


photo: AXA©.

GENERAL TERMS

AND CONDITIONS OF SALES

for contracts concluded with entrepreneurs

Article I. General information

These general sales terms and conditions shall apply to contracts for the purchase and sales of products and goods (hereinafter referred to as Goods) concluded with entrepreneurs by AXA Stenman Roland Sp. z o.o., based in Siewierz, ul. Warszawska 89, holding the NIP (Tax Identification Number): 649-11-10-585, and REGON (Business Registration Number): 272951960, entered into KRS (National Court Register) under no. 0000160145; company's documentation is kept by the District Court for Częstochowa, 17th Commercial Division of the National Court Register; with share capital of PLN 1,372,800.00 (hereinafter referred to as the Seller), acting as the Seller. Introduction of amendments or additions to these terms and conditions requires written consent granted by the Buyer and Seller. In case the Buyer has their own contract template, the Seller declares that they do not consent to its application, and any sales and purchase contract shall be concluded only under terms and conditions specified herein.

Article II. Offer

1. The offer submitted by the Seller to the Buyer shall not be binding, until the parties have agreed on all material elements of the order, i.e. the Goods, their quantity, price and terms of delivery, and until the Buyer and the Seller have signed the contract.
2. Data included in catalogues, illustrations, drawings, standard sheets, lists of sizes and weights, notices, advertisements, price lists and other information addressed to the general public or to individual persons, etc., shall, in the case of doubt, be regarded not as an offer but as an invitation to conclude a contract.

Article III. Contract

1. The contract concluded in writing shall be effective at the moment the Buyer receives (after prior submission of an order) a written confirmation of Seller's acceptance of the order - specifying the price, quantity of Goods, date of order execution, dates of payment and other provisions relevant to contract performance, unless the parties agree otherwise. The Seller's written order acceptance confirmation shall also be treated as an invoice issued by the Seller, unless the Seller has previously confirmed the order acceptance in writing.
2. These general terms and conditions of sales are available on the Seller's website at: axahomesecurity.pl, of which the Seller shall inform the Buyer in a written order confirmation.

Article IV. Price

1. The prices included in the offer or order confirmation are net prices (without VAT) and are based on prices valid at the time of offer submission, respectively order confirmation submission.
2. If, after the signing the contract, at least one factor affecting the price increases - even if this occurs due to foreseeable circumstances - the Seller is entitled to increase the agreed price accordingly.
3. The prices specified by the Seller are based on the prices of goods and deliveries established directly with the manufacturer in Poland. The Seller is entitled to charge:
 - a. additional fee amounting to at least PLN 50 for administrative costs in the case of orders whose value does not exceed the amount of PLN 2000 net (VAT excluded);
 - b. packaging charge;
 - c. shipping costs which include, in particular, costs of measuring or weighing, packing; costs of insurance for the carriage duration and costs of goods shipment shall be charged separately.
4. The prices quoted do not include VAT and other costs charged separately for packing, shipping and administration.
5. Only and exclusively if agreed by the Parties, the Seller undertakes to take back the packaging previously paid for by the Buyer and included in a separate invoice issued by the Seller, as well as to return the packaging cost incurred by the Buyer in the amount calculated on the invoice issued by the Seller, provided that the Seller receives the packaging in question back as a prepaid shipment and in good condition within 30 days from the invoice date. Other packaging, not expressly agreed to be returned by the Parties to the contract, are not returnable.

Article V. Delivery

1. Delivery of the Goods shall take place as per the following rules:
 - a. delivery of the ordered Goods shall take place directly from the manufacturer, in line with Incoterms confirmed by the Seller on order acceptance;
 - b. Parties may deliver the agreed orders in batches. In this case, the Seller reserves the right to invoice partial deliveries. Simultaneously, the Seller reserves the right to deliver and invoice an order in a quantity that exceeds or falls short by 5%.

2. In the event of force majeure, the Seller shall have the right to suspend the contract performance or terminate the contract fully or in part, whereby the Buyer shall have no right to claim compensation.
3. If the Buyer is in default in payment or fulfilment of other obligations resulting from the contract, the Seller may designate an appropriate additional period for the Buyer to perform the contract, subject to the fact that, in the event of ineffective expiry of the designated deadline, they shall be entitled to withdraw from the contract. They can also demand the fulfilment of the obligation and compensation for damage resulting from the delay, without setting an additional deadline or after its ineffective expiry.

Article VI. Delivery time

1. The delivery time shall be counted from the day of the Seller's written confirmation of order acceptance. If the Buyer does not provide all the data necessary for contract performance within this period, the delivery time shall start after this data is supplied.
2. Except for gross negligence on the part of the Seller, exceeding the delivery time does not give the Buyer any right to withdraw from the contract in whole or in part, or to demand compensation for damages or to fail to meet their own obligations that may arise from the contract concluded with the Seller. Exceeding the delivery date, regardless of the reasons, shall not entitle the Buyer to substitutive performance or to order Seller's obligation performance at their expense.
3. The Goods shall be deemed delivered when handed over to a carrier, after notifying the Buyer thereof.

Article VII. Payment

1. Payments shall be made within 1 month of the invoice date, unless the Seller presents the Buyer a different payment date, without deductions or other settlements.
2. If the buyer fails to make a payment within the agreed period, the seller shall be entitled, without informing the Buyer of the default, to charge statutory interest from the date on which the payment period expires.
3. Without prejudice to provisions of Article V, paragraph 1 and Article VI, paragraph 3, the ownership rights to the Goods pass onto the Buyer,

subject to payment of the price and additional costs specified in these terms and conditions; thereby the Seller reserves the ownership of the Goods for their own benefit until the price and other fees are paid up. The Buyer is obliged to cooperate with the Seller when the latter collects the Goods from the Buyer - in particular, to enable the Seller to promptly collect the Goods. In the event of the Buyer's delay in paying the price, the Seller, at their discretion, may either benefit from the reservation of ownership and demand release of the Goods or demand payment of the price and other fees/costs.

Article VIII. Complaints

Complaints relating to shortages, irregularities in delivery performance and visible defects of the Goods must be lodged by the Buyer within 14 days of receipt of the Goods. If this period is exceeded, any possible claim against the Seller shall not be accepted.

Article IX. Warranty

1. Goods with hidden defects, in relation to which the Buyer proves that they are a direct consequence of improper material use or incorrect workmanship, shall be replaced or repaired by the Seller at their own discretion, subject to the restrictions referred to in the following paragraphs.
2. The warranty referred to in paragraph 1 of this Article shall be limited to the defects mentioned therein which are detected within one year of delivery, pursuant to Article VI, paragraph 3.
3. Complaints based on the warranty must be submitted to the Seller in writing without delay, but always within 14 days of the defect being detected, as defined in paragraph 1 of this Article. If this period is exceeded, any possible warranty claim against the Seller shall not be accepted.
4. Goods in respect of which the buyer has invoked the warranty rights shall be sent to the Seller as a prepaid consignment in agreement with the Seller. If the Seller delivers new goods to fulfil their warranty obligations, the initial defective goods delivered by the Buyer shall accordingly become the Seller's property. Defects resulting from incorrect transport, storage, assembly, use, faulty maintenance or modifications introduced without Seller's written consent shall not be subject to the warranty.



Packing; AXA Stenman plant in Poland, Zawiercie. Photo: AXA©.

GENERAL TERMS AND CONDITIONS OF SALES

CONTINUED

In case parts other than those supplied by the Seller are used, any claims in respect of the warranty shall not be accepted.

The detailed conditions under which the warranty is granted are specified in the document titled "Door fitting warranty". In the case of any doubt as to the application these terms and conditions and the "Door fitting warranty" document, the provisions of the "Door fitting warranty" are binding, taking precedence over these terms and conditions.

Article X. Liability

The Seller's liability arising from the content of the contract is limited to ensuring compliance with the warranty obligations described in Article IX of these terms and conditions. Except for gross negligence on the part of the Seller and except for the provision contained in paragraph 1, the Seller's entire liability for, inter alia, damages to the Buyer, other indirect damages such as installation costs, transport, travel, injury to persons or damage to goods, loss of money or other movable property and damages resulting from liability towards third parties is excluded.

In view of the above, the Seller shall not be liable for: infringement of patent rights, licences or other rights of third parties as a result of the use of data provided by or on behalf of the Buyer. The Buyer shall indemnify the Seller from liability for any claims issued by third parties, when, in accordance with these terms and conditions, the Seller's liability for damages arisen is excluded, in particular with regard to claims that may arise from the Buyer's action/omission or from Buyer's violation of the rights referred to in paragraph 3.

The risk of accidental loss or damage to the goods shall pass onto the Buyer upon handing over the goods to the Buyer, courier or carrier. In particular, the Seller shall not be liable for damage resulting from incorrect use or installation of the Goods by the Buyer or third parties.

Article XI. Models, tools, stamps and dies

Models, tools, stamps and dies specially made for the purpose of an order remain the Seller's property, even

if the Buyer has borne the costs thereof. If, within a period of two years with respect to a specific order for specific Goods, the Seller has not received or accepted further orders, they shall have the right to destroy specific models, tools, stamps and dies or use them for other purposes, without informing the Buyer, subject to copyrights.

Article XII. Governing law and disputes

Polish law shall apply to all contracts to which these terms and conditions apply in whole or in part.

With regard to disputes that may arise in connection with the contract, to which these terms and conditions apply in whole or in part, which due to their nature or according to the amount involved in the claim require settlement by a court, only the court competent for the Seller's registered office shall be authorised to issue decisions in their case.

In matters not regulated by these terms and conditions and the contract, the provisions of the Civil Code shall apply accordingly.

Acknowledged:

19 February 2016.

On behalf of the Board of Directors:

DOOR FITTING WARRANTY

for entrepreneurs

AXA Stenman Poland Sp. z o.o., as the manufacturer, warrants, under the conditions set out below, durability of the fittings when operated correctly, including the manufacturer's legal liability for material defects. This guarantee is valid on the Republic of Poland territory and applies to functioning of door fittings, and covers any defects caused by their faulty design or material defects and, furthermore, applies to:

- functioning of fittings;
- durability of the anodised surfaces.

Warranty exclusions:

All replacement parts such as screws, fasteners, bearings etc. are not covered by the warranty. In addition, the manufacturer is not liable for damage resulting from:

- incorrect handling, operation contrary to its intended use or users' carelessness;
- natural wear and tear of products (e.g. bearings);
- incorrect or careless product handling, defects caused by inadequate protection of the product during construction works;,
- non-conformance to the installation instructions or lack of due care in its installation performance, modifications and repairs by the user or third parties;
- use of unsuitable chemical (cleaning) or physical agents (e.g. soiling with mortar, plaster or foam; cleaning with coarse cleaning agents or aggressive chemicals);
- removing the information sticker on the inside of a handle;
- operation of defective or incorrectly installed door elements and/or parts of fittings (e.g. locks, hinges, door closers).

Warranty terms and conditions:

Within the scope of this warranty, AXA Stenman Poland shall undertake to replace or repair a defective door handle exclusively free of charge for the beneficiary, within the warranty period. The decision as to how to deal with the complaint is at the discretion of AXA Stenman Poland. Replacement or repair of the goods shall take place within 14 days from the date of delivery of the Goods to AXA Stenman Poland. The costs of delivering the goods being replaced or repaired to the beneficiary of this warranty shall be borne by AXA Stenman Poland. Claims under this warranty shall only be considered upon presentation of the product.

In case defective goods are replaced with new ones, the beneficiary of this warranty shall be obliged to return the defective product upon receipt of the defect-free goods. In the event of a claim, the beneficiary of this warranty shall provide a detailed description of the failure or damage, as well as their warranty-related entitlements. AXA Stenman Poland may ask the beneficiary of this warranty for more information on the product before deciding whether the claim is justified.

Warranty Period:

The warranty period covering the functioning of the hardware is:

- 10 years for handles and escutcheons in safety class 3 PREMIUM and FLEX,
- 5 years on handles and escutcheons in safety class 3 STANDARD
- 2 years for other aluminum fittings and begins from the date of purchase.

The warranty period starts from the date of purchase.

The warranty period covering the durability of the anodised surface is 5 years. Any complaints should be addressed to the seller by delivering the defective product. The beneficiary of this guarantee must prove that he or she is entitled to the guarantee and that the guarantee has not expired (e.g. by presenting the purchase document). (e.g. by presenting the purchase document). The claimed item, must be delivered to the seller's premises.

Applicable law:

This warranty is governed by the laws of Poland, and any disputes arising here from shall be subject to the jurisdiction of Polish courts. This warranty does not exclude, limit or suspend the purchaser's rights resulting from non-compliance of the goods with the contract. This catalogue does not constitute an offer within the meaning of the binding regulations.

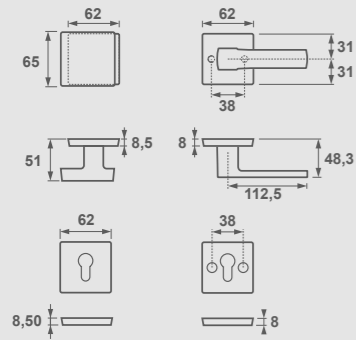
This product catalogue does not constitute an offer within the meaning of the Civil Code or an assurance within the meaning of Art. 4 of the Act of 27.07.2002 on specific conditions of consumer sales. **AXA Stenman Poland Sp. z o.o. reserves the right to introduce (without notice) changes in technical parameters, equipment, prices, warranty conditions and product specifications.** The prices in the catalogue are given in PLN and are net prices. An applicable VAT should be added. The prices given are those suggested by the manufacturer and do not determine resale prices at individual distribution points. **The information contained herein is correct at the time of publication. All previous catalogues concerning the same product range are no longer valid.** For a detailed offer, visit also www.axahomesecurity.pl.

NOTE! Due to the printing technique employed, the presented product colour may differ from the original.

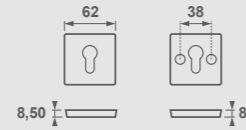
TECHNICAL DRAWINGS

Door handles

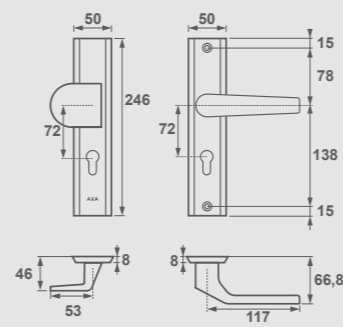
Ceres Click
Handle+pusher



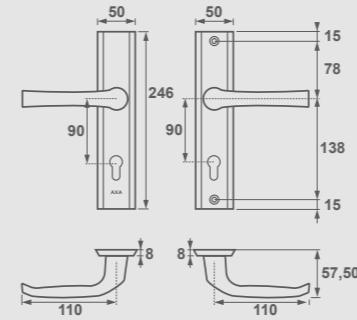
Ceres Click
Rosette



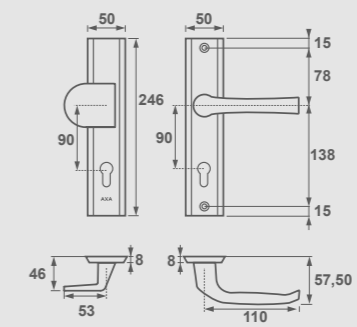
Fast Premium
Handle+pusher, spacing: 72 mm



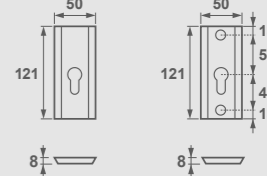
Niagara++ / Niagara
Handle+handle, spacing: 90 mm



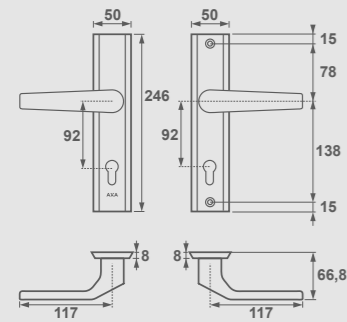
Niagara++ / Niagara
Handle+pusher, spacing: 90 mm



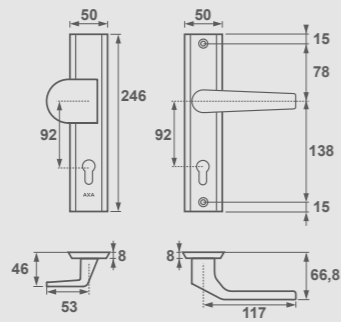
Niagara++ / Niagara
Rosette



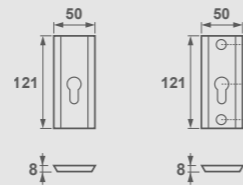
Fast Premium
Handle+handle, spacing: 92 mm



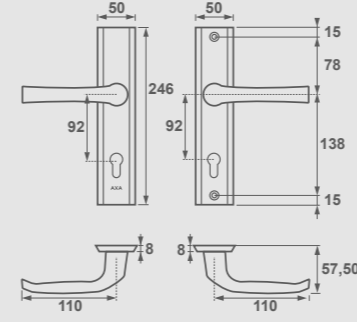
Fast Premium
Handle+pusher, spacing: 92 mm



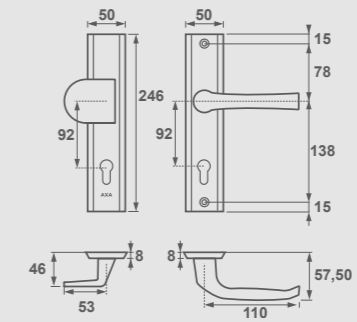
Fast Premium
Rosette



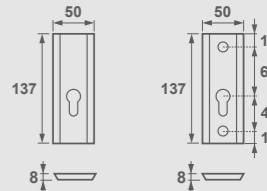
Niagara++ / Niagara
Handle+handle, spacing: 92 mm



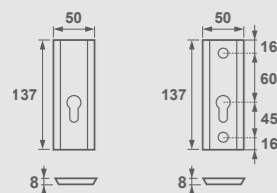
Niagara++ / Niagara
Handle+pusher, spacing: 92 mm



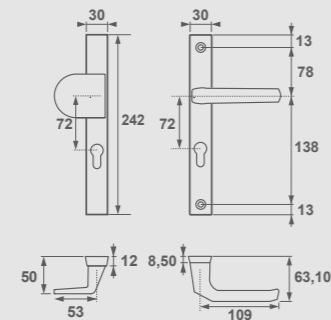
Niagara++ / Niagara
Long rosette



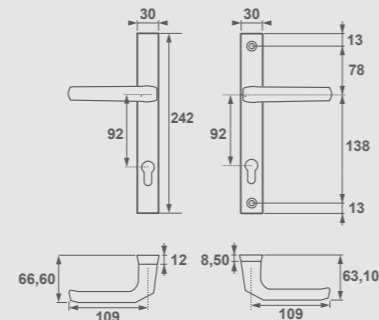
Fast Premium
Long rosette



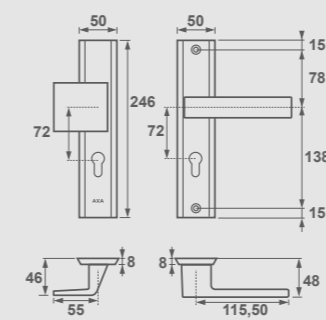
Slim Plus
Handle+pusher, spacing: 72 mm



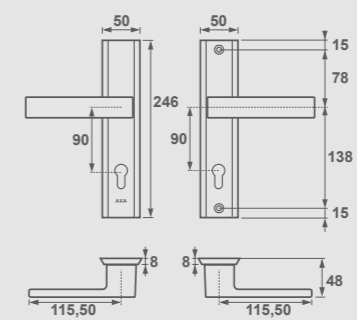
Slim Plus
Handle+handle, spacing: 92 mm



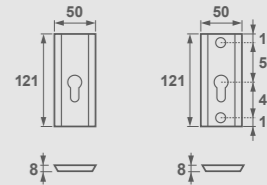
Haga++ / Haga
Handle+pusher, spacing: 72 mm



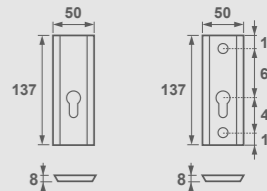
Haga++ / Haga
Handle+handle, spacing: 90 mm



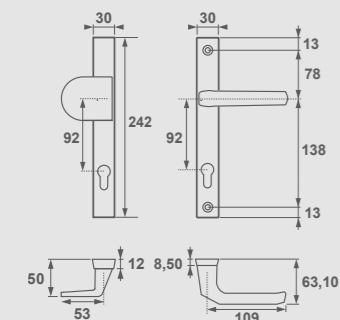
Haga++ / Haga
Rosette



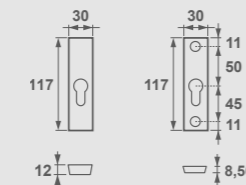
Haga++ / Haga
Long rosette



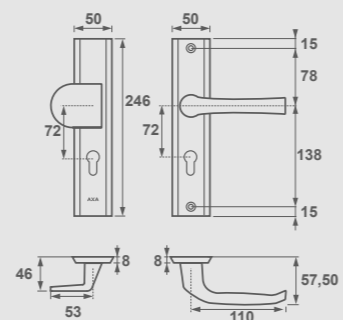
Slim Plus
Handle+pusher, spacing: 92 mm



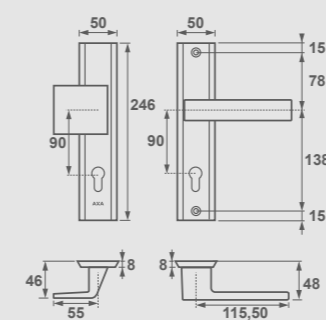
Slim Plus
Rosette



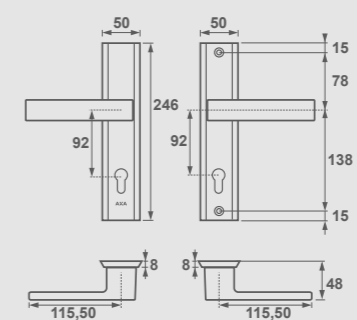
Niagara++ / Niagara
Handle+pusher, spacing: 72 mm



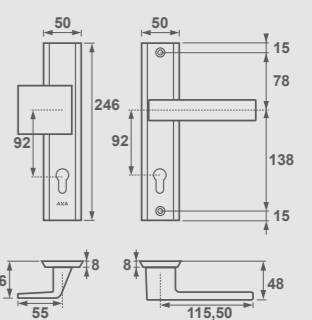
Haga++ / Haga
Handle+pusher, spacing: 90 mm



Haga++ / Haga
Handle+handle, spacing: 92 mm



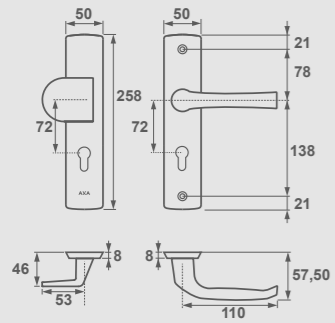
Haga++ / Haga
Handle+pusher, spacing: 92 mm



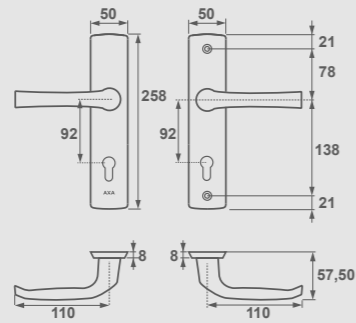
TECHNICAL DRAWINGS

Door handles

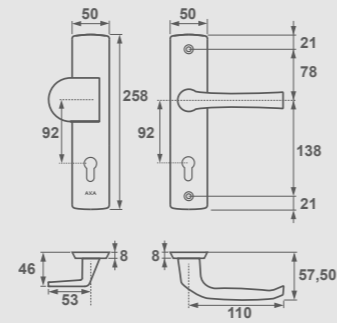
Manitoba++
Handle+pusher, spacing: 72 mm



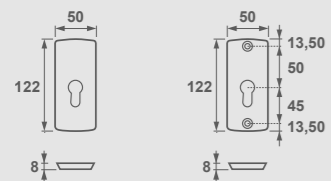
Manitoba++
Handle+handle, spacing: 92 mm



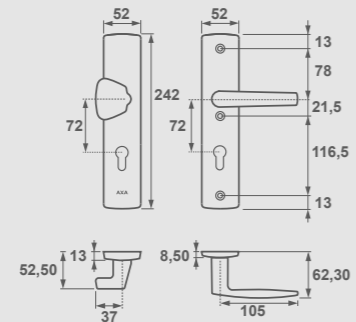
Manitoba++
Handle+pusher, spacing: 92 mm



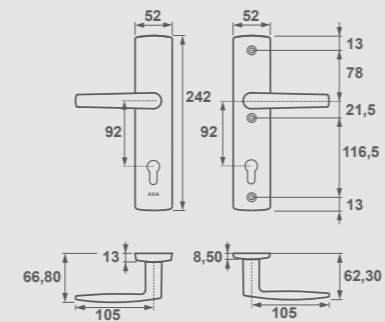
Manitoba++
Rosette



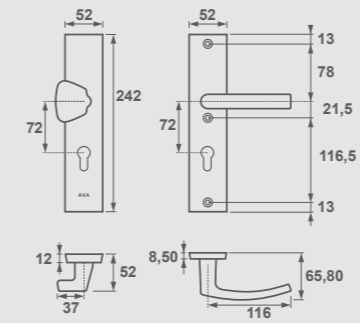
Diva
Handle+knob, spacing: 72 mm



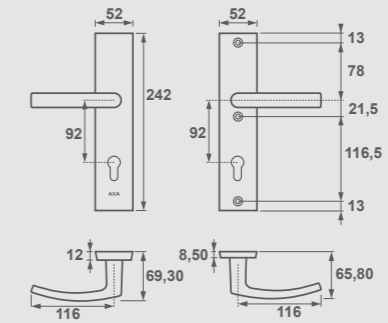
Diva
Handle+handle, spacing: 92 mm



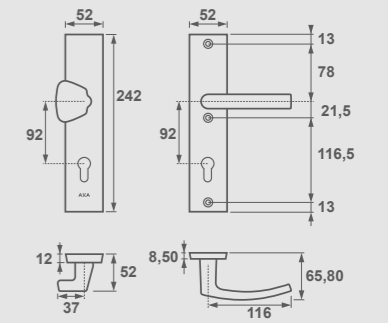
Odin
Handle+knob, spacing: 72 mm



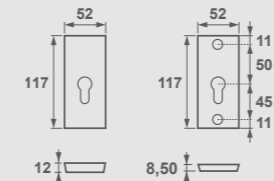
Odin
Handle+handle, spacing: 92 mm



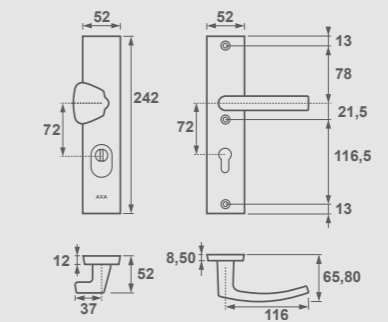
Odin
Handle+knob, spacing: 92 mm



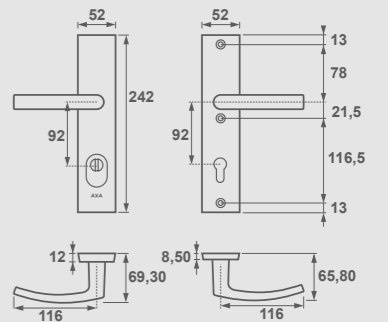
Odin
Rosette



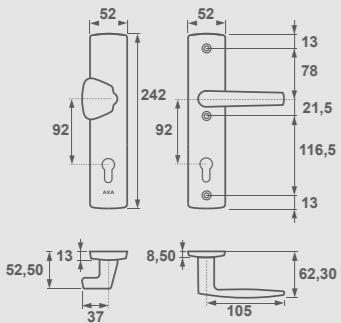
Odin Flex
Handle+knob, spacing: 72 mm



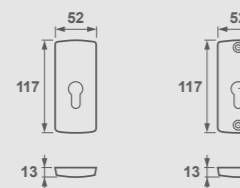
Odin Flex
Handle+handle, spacing: 92 mm



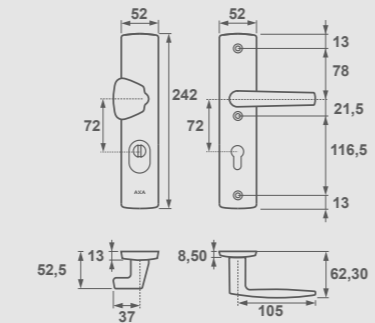
Diva
Handle+knob, spacing: 92 mm



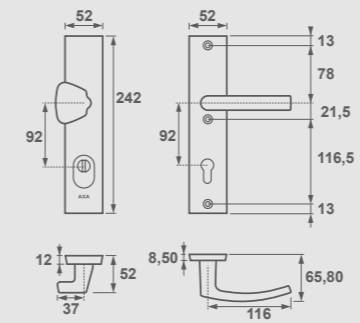
Diva
Rosette



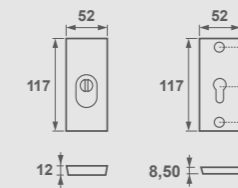
Diva Flex
Handle+knob, spacing: 72 mm



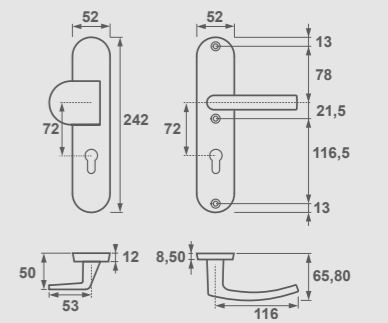
Odin Flex
Handle+knob, spacing: 92 mm



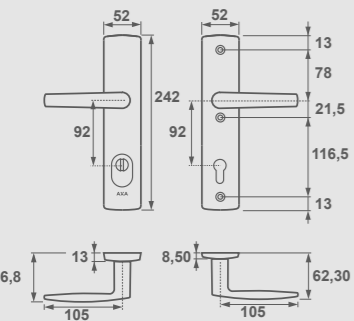
Odin Flex
Rosette



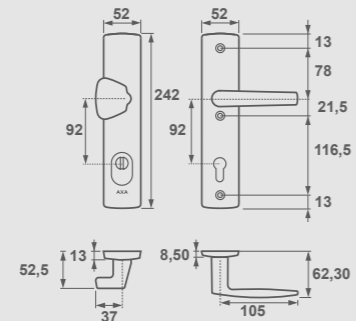
Quebec
Handle+pusher, spacing: 72 mm



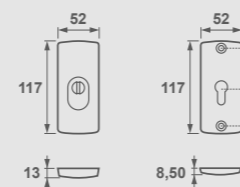
Diva Flex
Handle+handle, spacing: 92 mm



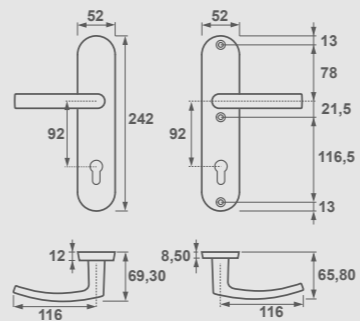
Diva Flex
Handle+knob, spacing: 92 mm



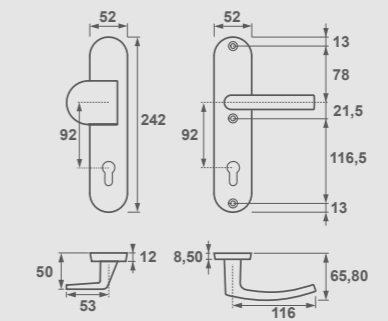
Diva Flex
Rosette



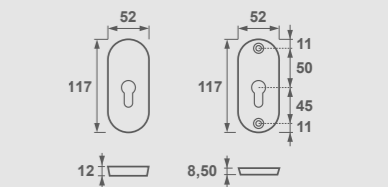
Quebec
Handle+handle, spacing: 92 mm



Quebec
Handle+pusher, spacing: 92 mm



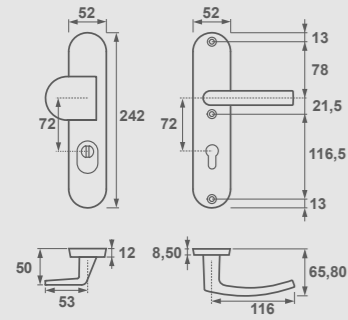
Quebec
Rosette



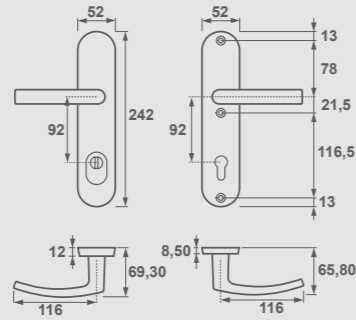
TECHNICAL DRAWINGS

Door handles

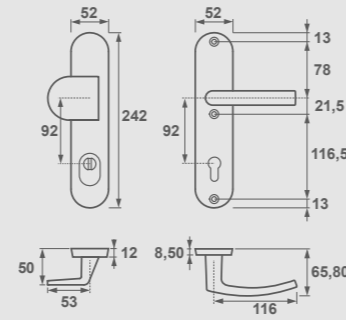
Quebec Flex
Handle+pusher, spacing: 72 mm



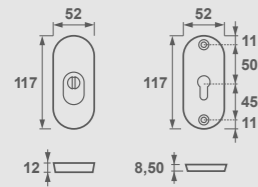
Quebec Flex
Handle+handle, spacing: 92 mm



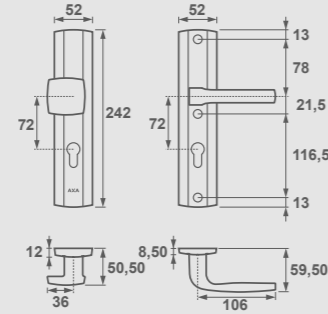
Quebec Flex
Handle+pusher, spacing: 92 mm



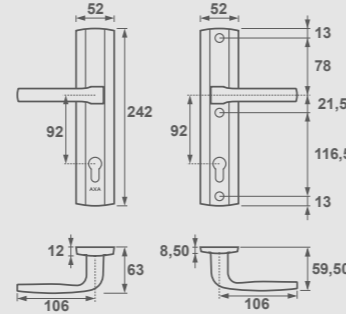
Quebec Flex
Rosette



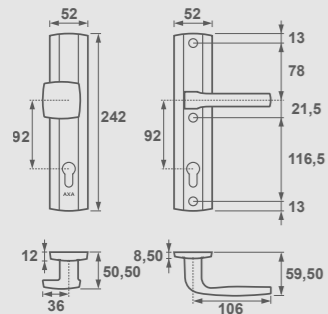
Prestige
Handle+knob, spacing: 72 mm



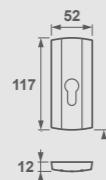
Prestige
Handle+handle, spacing: 92 mm



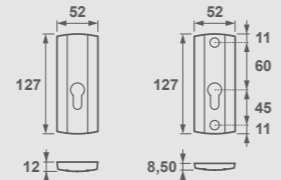
Prestige
Handle+knob, spacing: 92 mm



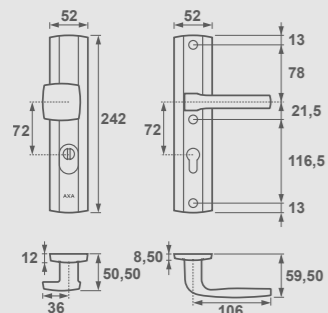
Prestige
Rosette



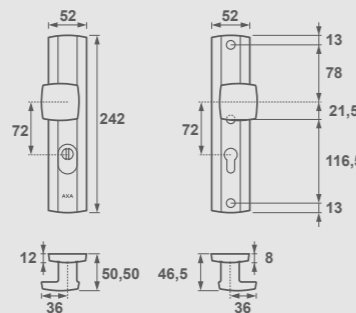
Prestige
Long rosette



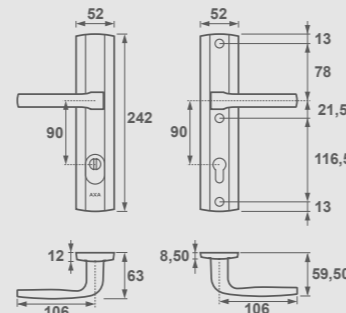
Prestige Flex
Handle+knob, spacing: 72 mm



Prestige Flex
Knob+knob, spacing: 72 mm



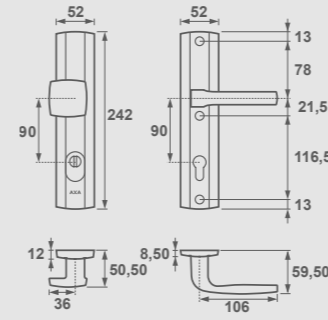
Prestige Flex
Handle+handle, spacing: 90 mm



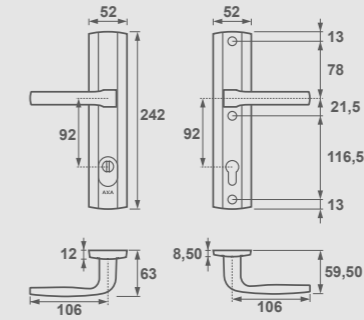
TECHNICAL DRAWINGS

Door handles

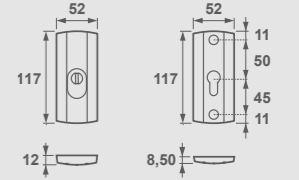
Prestige Flex
Handle+knob, spacing: 90 mm



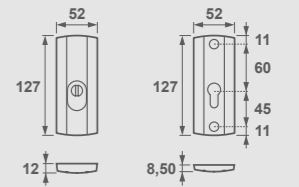
Prestige Flex
Handle+handle, spacing: 92 mm



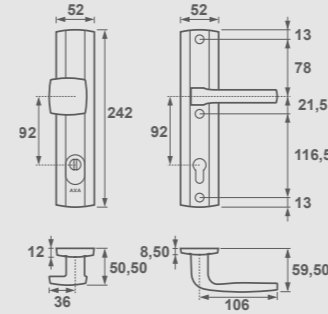
Prestige Flex
Rosette



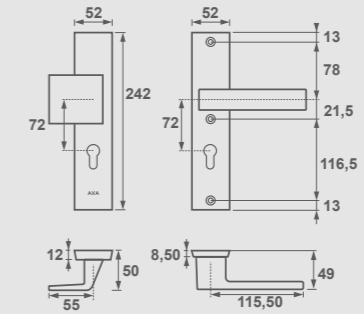
Prestige Flex
Long rosette



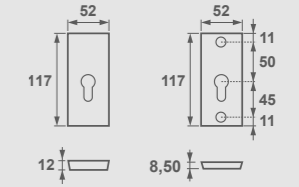
Prestige Flex
Handle+knob, spacing: 92 mm



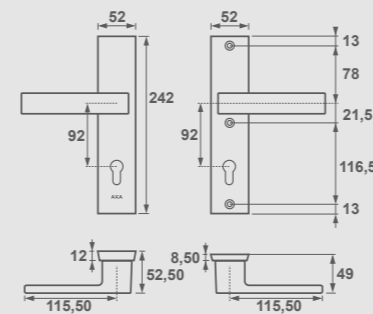
Royal++
Handle+pusher, spacing: 72 mm



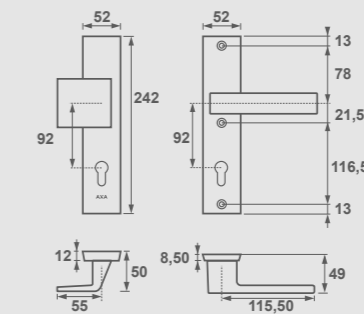
Royal++
Rosette



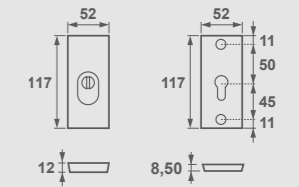
Royal++
Handle+handle, spacing: 92 mm



Royal++
Handle+pusher, spacing: 92 mm



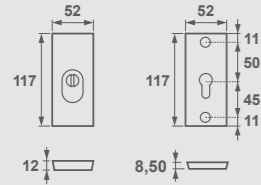
Royal Flex++
Rosette



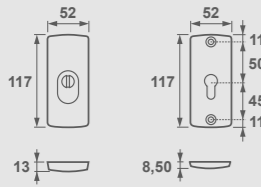
TECHNICAL DRAWINGS

Door handles

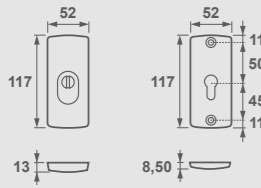
Kioto Flex Premium
Rosette



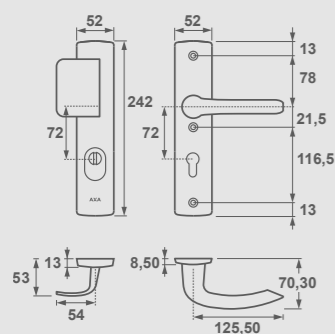
Apollo Flex Premium
Rosette



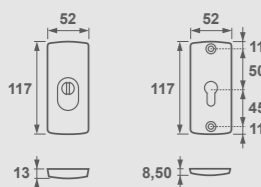
Jupiter Flex Premium
Rosette



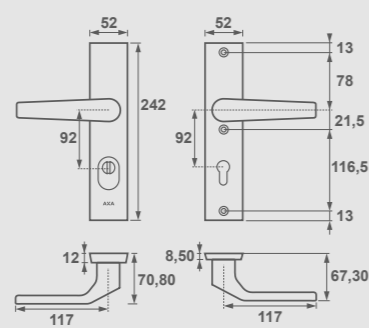
Jupiter Flex Premium
Handle+pusher, spacing: 72 mm



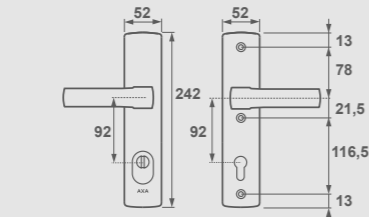
Arrow Flex Premium
Rosette



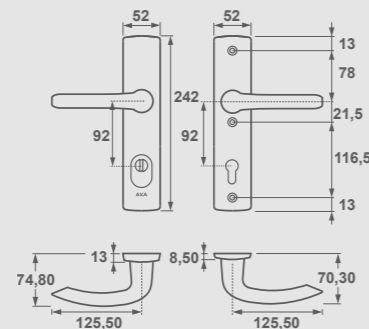
Kioto Flex Premium
Handle+handle, spacing: 92 mm



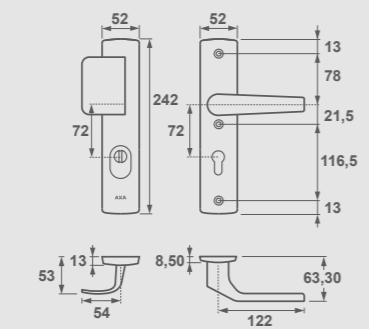
Apollo Flex Premium
Handle+handle, spacing: 92 mm



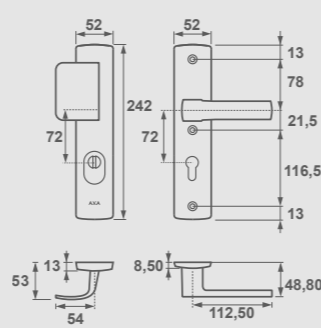
Jupiter Flex Premium
Handle+handle, spacing: 92 mm



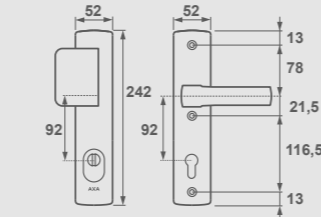
Arrow Flex Premium
Handle+pusher, spacing: 72 mm



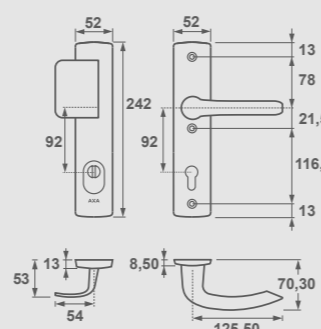
Apollo Flex Premium
Handle+pusher, spacing: 72 mm



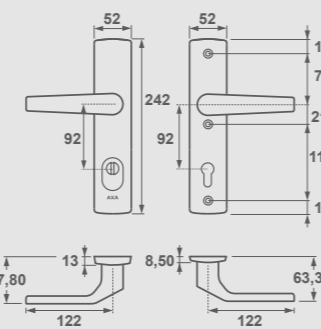
Apollo Flex Premium
Handle+pusher, spacing: 92 mm



Jupiter Flex Premium
Handle+pusher, spacing: 92 mm



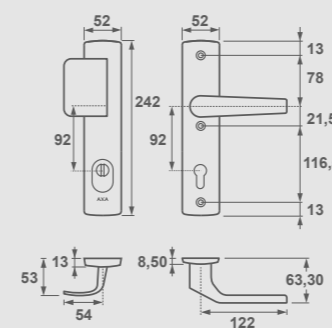
Arrow Flex Premium
Handle+handle, spacing: 92 mm



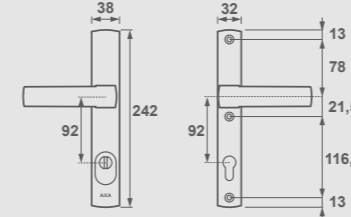
TECHNICAL DRAWINGS

Door handles

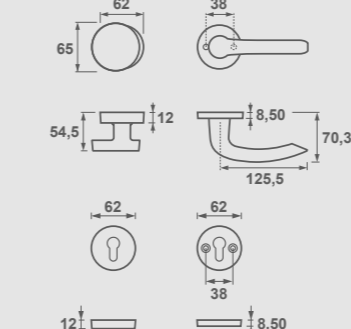
Arrow Flex Premium
Handle+pusher, spacing: 92 mm



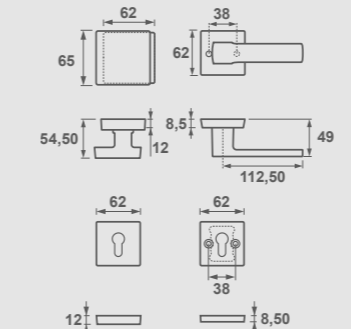
Solid Flex Premium
Handle+handle, spacing: 92 mm



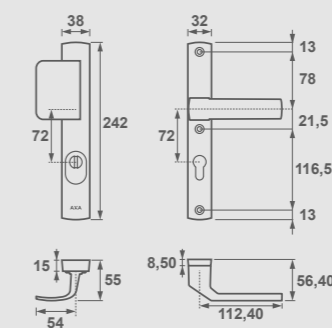
Diana Premium
Handle+pusher



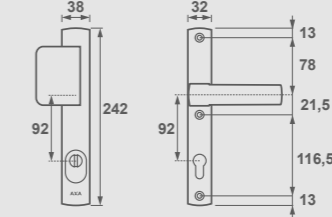
Mars Click
Handle+pusher



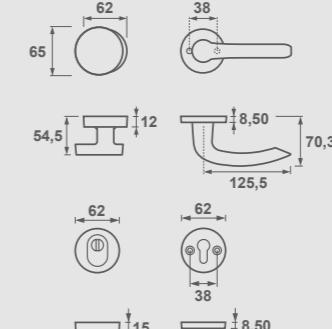
Solid Flex Premium
Handle+pusher, spacing: 72 mm



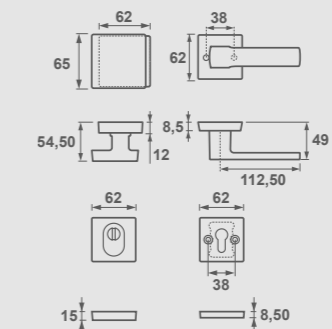
Solid Flex Premium
Handle+pusher, spacing: 92 mm



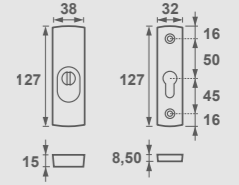
Diana Flex Premium
Handle+pusher



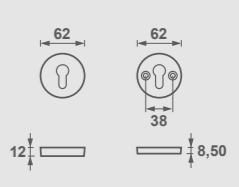
Mars Flex Click
Handle+pusher



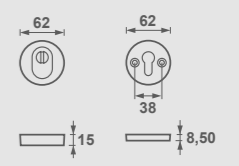
Solid Flex Premium
Rosette



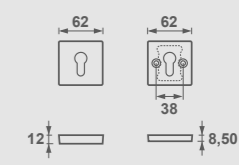
Diana Premium
Rosette



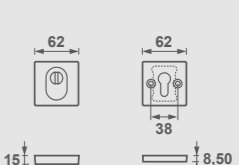
Diana Flex Premium
Rosette



Mars Click
Rosette



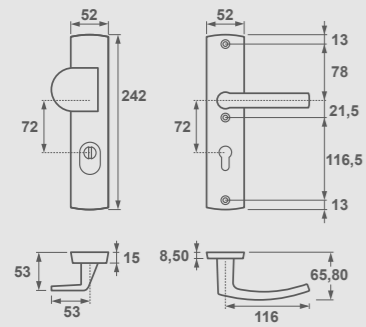
Mars Flex Click
Rosette



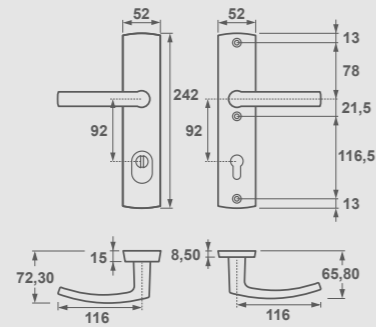
TECHNICAL DRAWINGS

Door handles

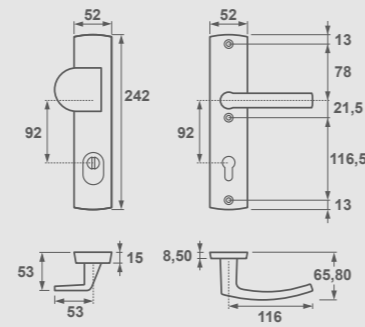
Toronto Flex
Handle+pusher, spacing: 72 mm



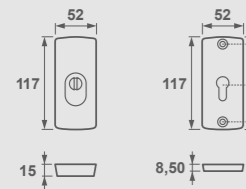
Toronto Flex
Handle+handle, spacing: 92 mm



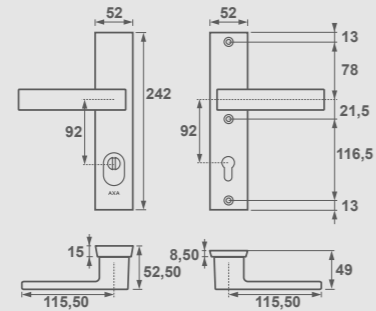
Toronto Flex
Handle+pusher, spacing: 92 mm



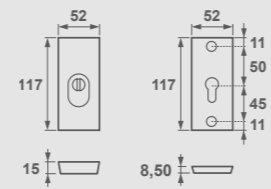
Toronto Flex
Rosette



Vermont Flex
Handle+handle, spacing: 92 mm



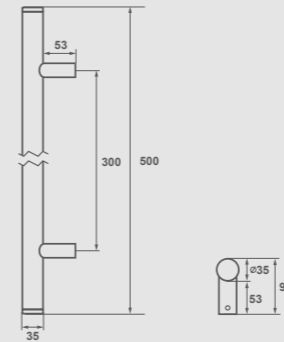
Vermont Flex
Rosette



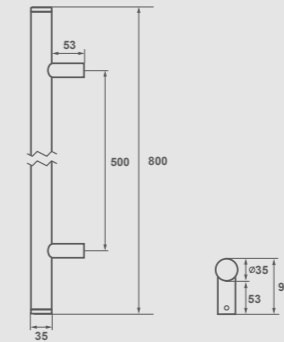
TECHNICAL DRAWINGS

Pull handles

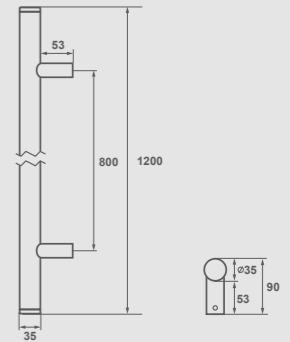
Montreal – straight
50 cm



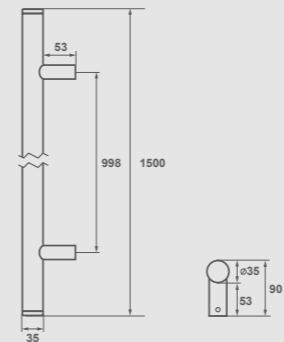
Montreal – straight
80 cm



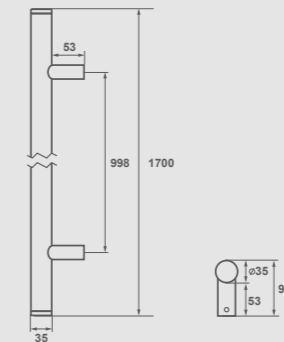
Montreal – straight
120 cm



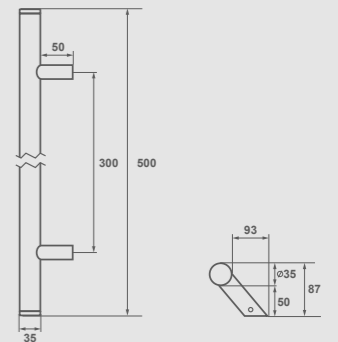
Montreal – straight
150 cm



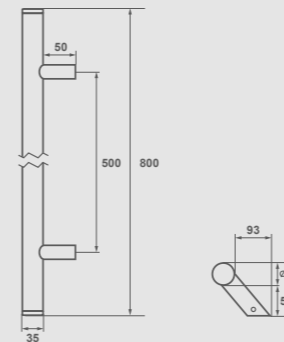
Montreal – straight
170 cm



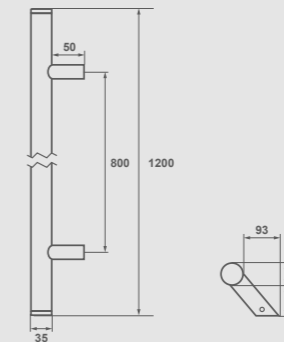
Montreal – skew
50 cm



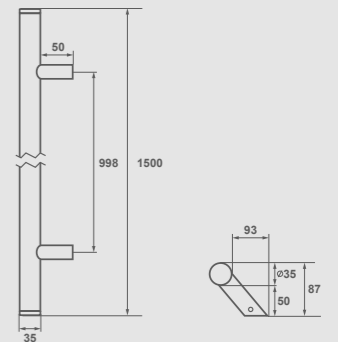
Montreal – skew
80 cm



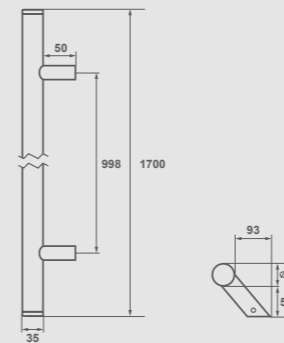
Montreal – skew
120 cm



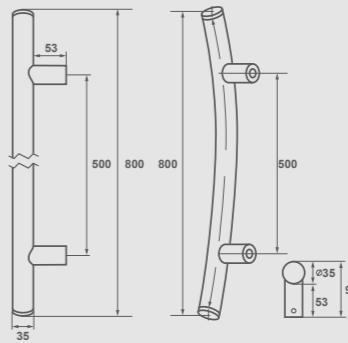
Montreal – skew
150 cm



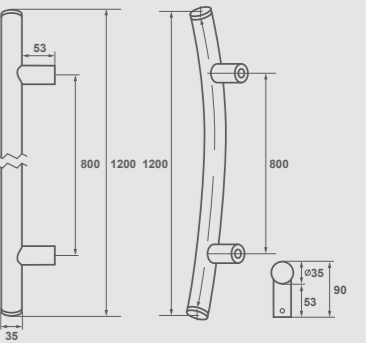
Montreal – skew
170 cm



Montreal – bent
80 cm



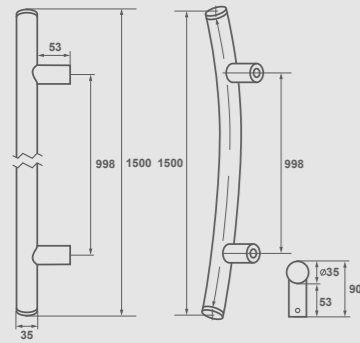
Montreal – bent
120 cm



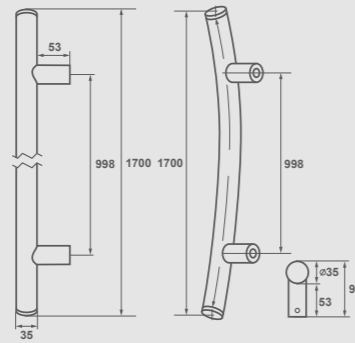
TECHNICAL DRAWINGS

Pull handles

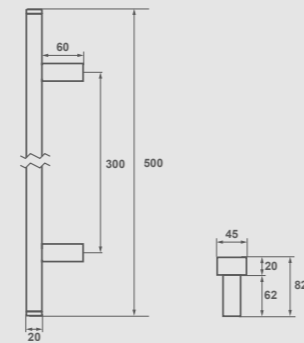
Montreal – bent
150 cm



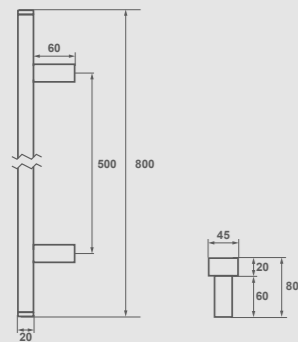
Montreal – bent
170 cm



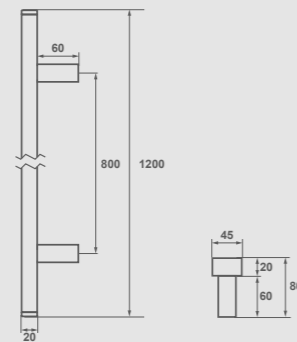
Amsterdam – straight
50 cm



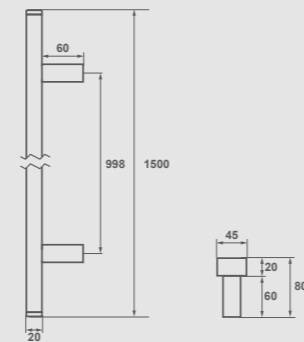
Amsterdam – straight
80 cm



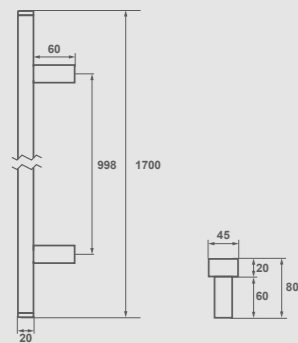
Amsterdam – straight
120 cm



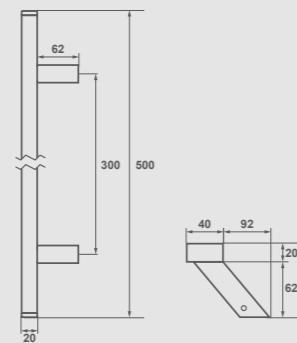
Amsterdam – straight
150 cm



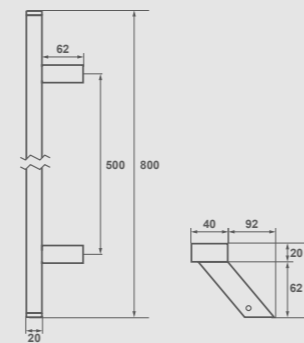
Amsterdam – straight
170 cm



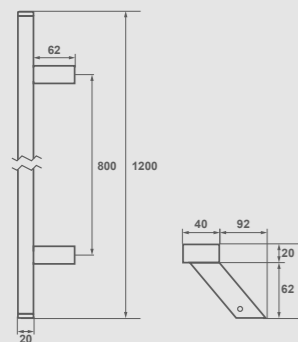
Amsterdam – skew
50 cm



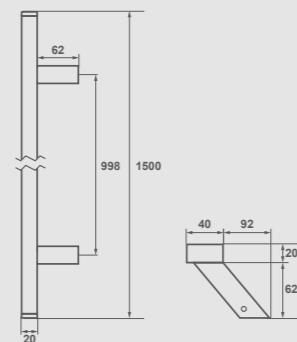
Amsterdam – skew
80 cm



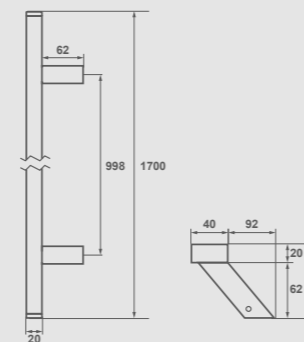
Amsterdam – skew
120 cm



Amsterdam – skew
150 cm



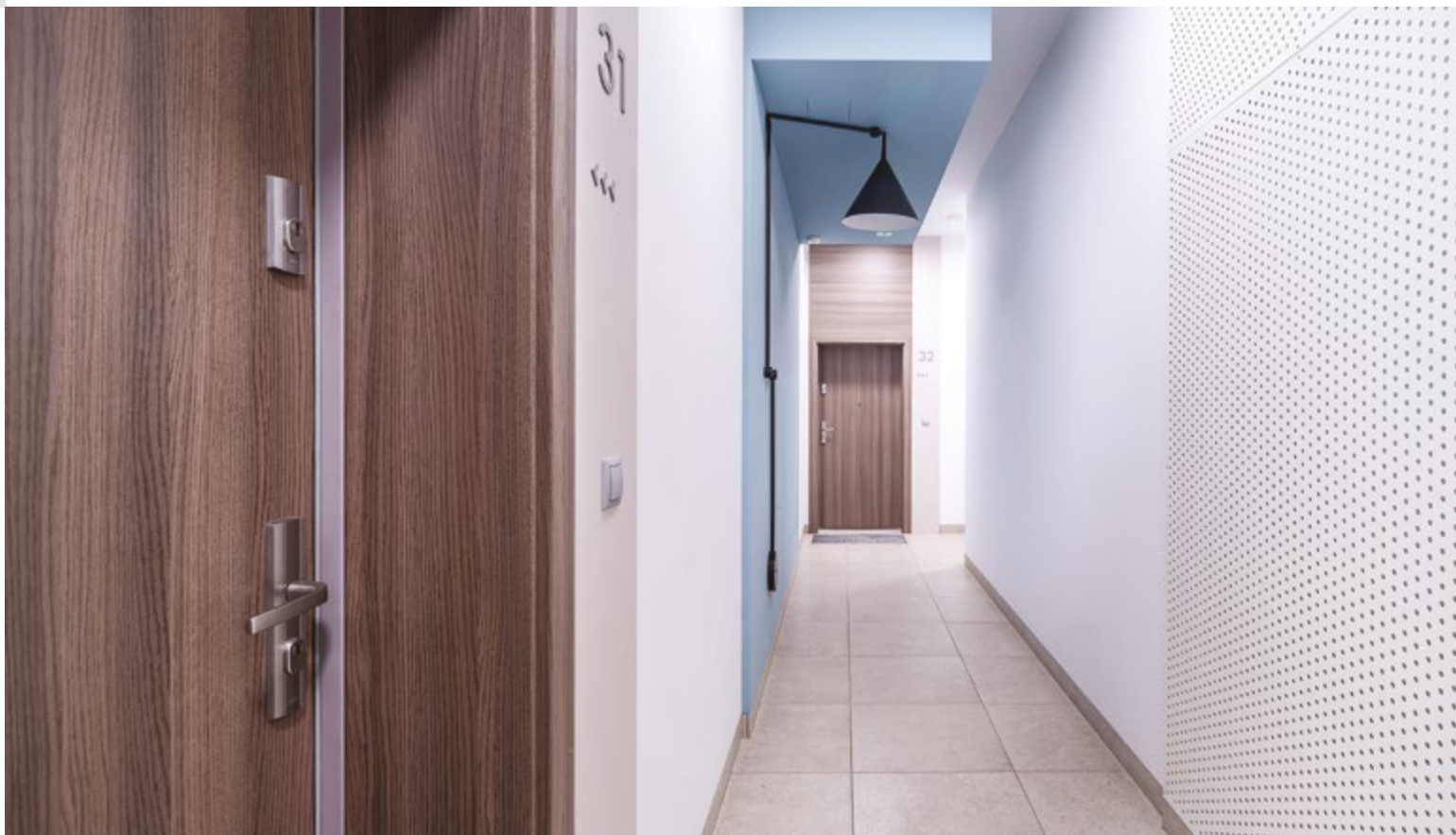
Amsterdam – skew
170 cm



Are you planning an investment?

Take a look at our catalog with an offer for developers and architects.

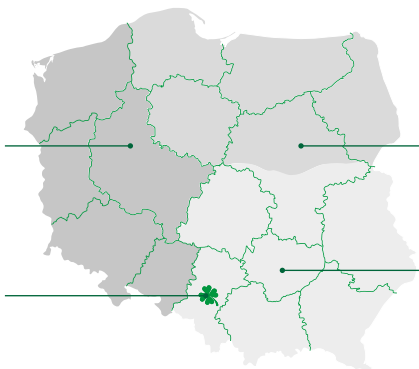
- Customized solutions.
- Possibility to personalize products – your logo on handles!
- Interesting offer of door closers and anti-panic bars.
- A wide range of complementary articles such as business card holders or electronic viewers.
- Favourable purchase options as a set.



Regional representatives

Paweł Wersty
pawel.wersty@allegion.com
tel. +48 601 510 727

Dział handlowy:
zamowienia@allegion.com
tel. +48 326 100 101
+48 782 260 260



Dominik Mrówczyński
dominik.mrowczynski@allegion.com
tel. +48 601 356 593

Adam Maliszewski
adam.maliszewski@allegion.com
tel. +48 605 298 391

Visit us at:



Facebook: @okuciadrzwi



YouTube: AXA HomeSecurity PL



LinkedIn: axa-stenman-poland



Instagram: axa.homesecurity.pl



AXA Stenman Poland Sp. z o.o.
ul. Technologiczna 8
42-400 Zawiercie
tel. +48 32 6100 100
biuro@allegion.com
www.axahomesecurity.pl